

# Pet Gate 5

*North States Industries, Inc.*

**Description:**

This gate was designed for ease of use, safety and maximum value. Please take a few minutes to read and follow these instructions and warnings.

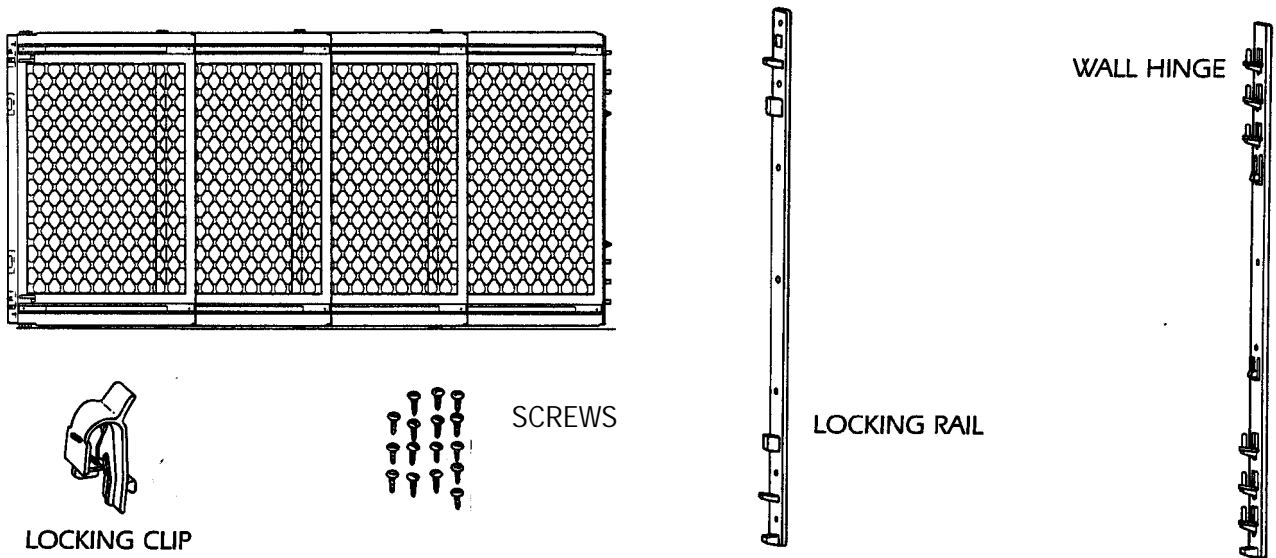
**Parts:**

Important: Please remove all parts from the carton and review the parts diagram to familiarize yourself with the Pet Gate 5 and all components before you install the gate.

Parts List:

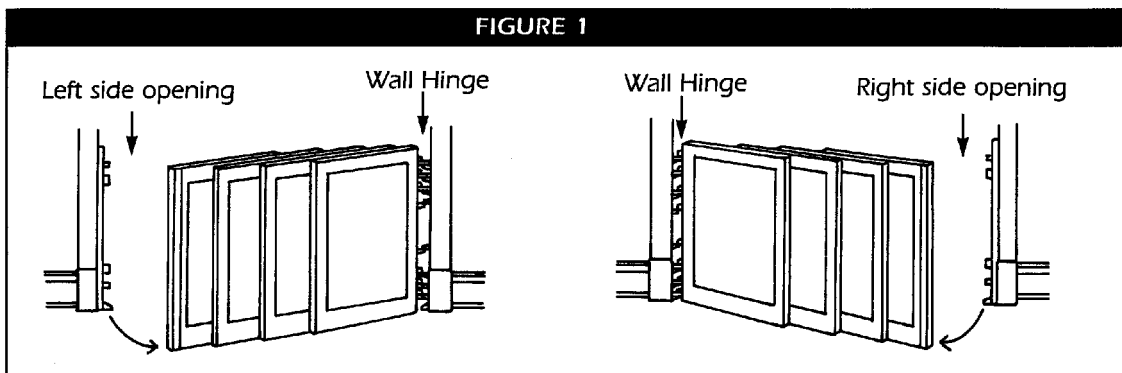
Part no.	Quantity	Description
11326	1 per unit	Wall Hinge
11325	1 per unit	Locking Rail
11327	1 per unit	Locking Clip
11385	16 per unit	Screws #6 x 1-1/4

Gate Assembly

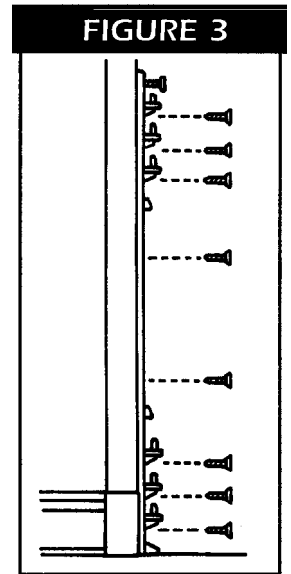
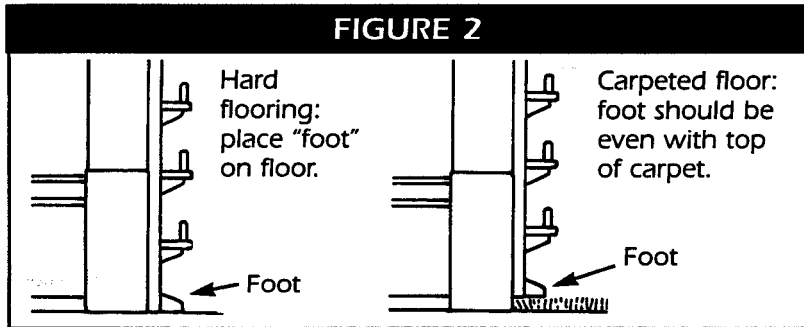


**Installation Instructions:**

Your new Pet Gate is a hinge mounted-gate only (it swings like a door on hinges). Before proceeding with your installation, you must decide which way you want your Pet Gate to swing (Figure 1). Warning: Never mount the gate so that it swings over a stairway.

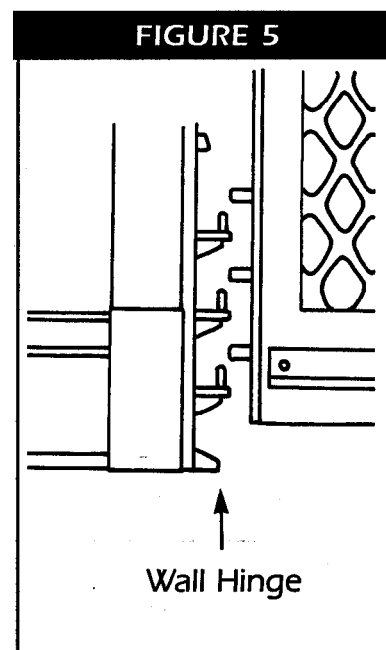
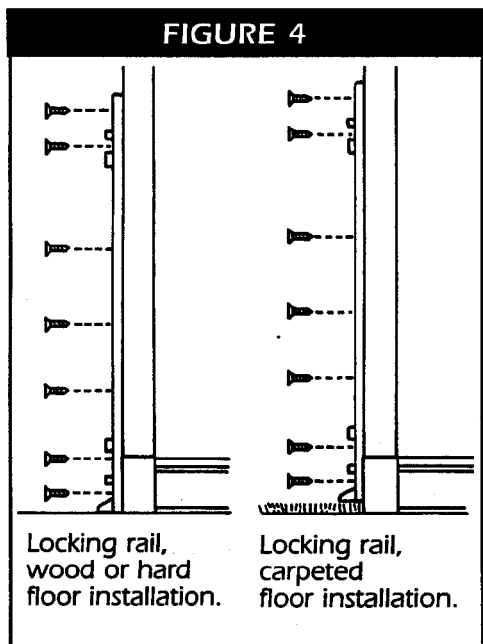


Once decided, you are ready to begin with the installation of the wall hinge (this is the side that does not swing out). If you have hard flooring, (tile, ceramic, etc.) the bottom "foot" of the wall hinge should be placed on the flooring. (Figure 2) If your flooring is carpeted, the bottom of the foot should be even with the top of your carpeting. (Figure 2)



Mark the top hole and pre-drill a 1/8" pilot hole, and screw the top of the wall hinge in place. Proceed down the hinge, and install a screw into each screw hole by drilling a pilot hole first, and then installing one of the enclosed screws. (Figure 3)

The other side of the opening requires mounting the locking rail. Follow the same steps as for mounting the wall hinge. Make sure that if you are installing over carpet, that the bottom foot of the locking rail is even with the top of the carpet, the same as the wall hinge. (Figure 4)

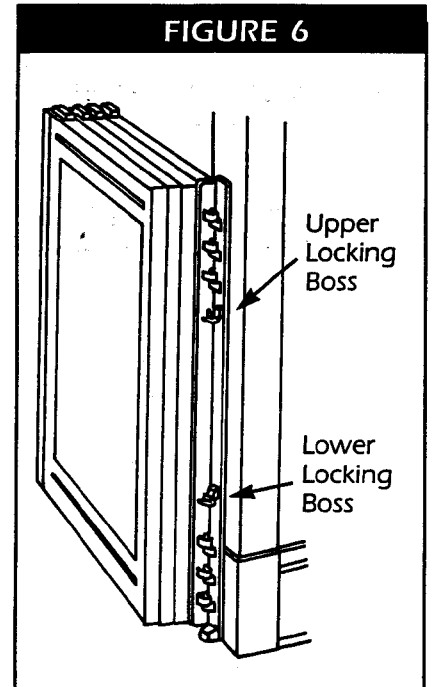
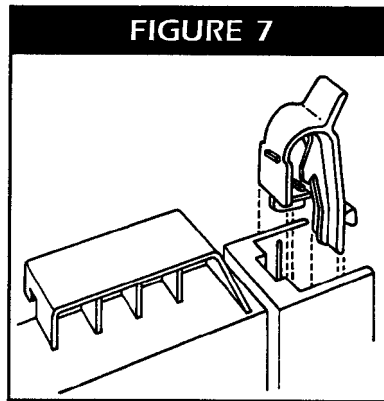


Determine which way you want your Pet Gate to swing, and attach the gate to the wall hinge by aligning the horseshoe shaped hoops on one side of the gate, over the 6 vertical pins on the wall hinge, and set the gate into place. (Figure 5)

If your Pet Gate does not swing in the desired direction, it can be removed from the wall hinge (until the locking clip is installed, the gate has no top or bottom) rotated 180 degrees, and remounted. To remove the gate from the wall hinge, press in on the upper locking boss (Figure 6) located on the wall hinge, and lift up on the gate itself, until the gate rib clears the locking boss. Then press in on the lower locking boss, and lift your gate off the wall hinge. You can now rotate the gate, and remount it so it swings in the desired direction.

**Note:** Always leave the gate mounted to the wall hinge when small children are present, so that there will be no exposed hinge pins.

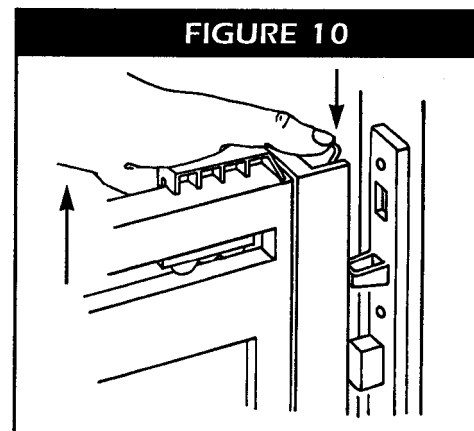
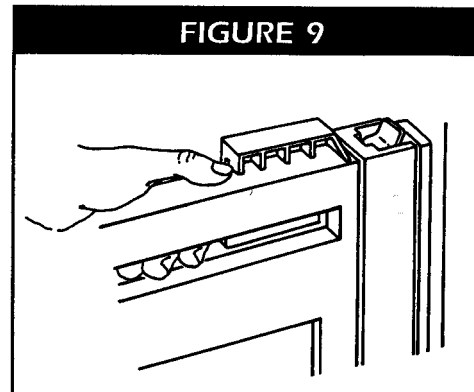
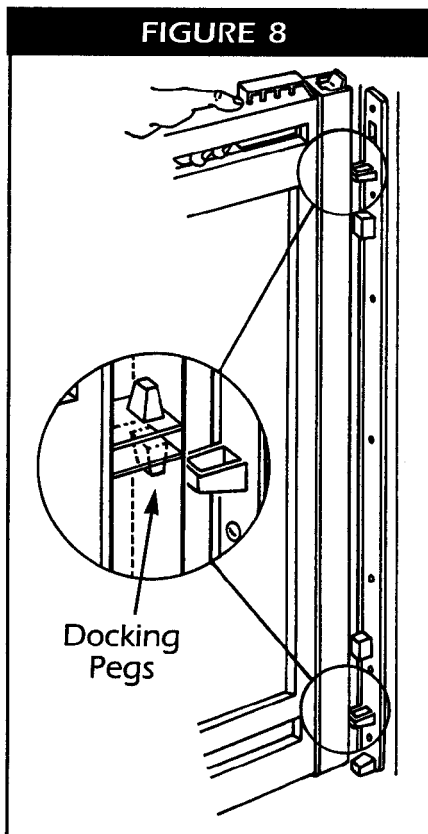
Once the gate swings in the desired direction, you can insert the locking clip into place. (Figure 7) By design, the locking clip is very hard to remove, and once installed, determines the top of the gate from the bottom. (The locking clip is always on the top).



**Operating The Gate:**

To operate the gate, simply slide it closed, until the locking end of the gate has reached the locking rail. Align the gate end with the locking rail, (Figure 8) and lift up slightly on the gate allowing the docking pegs to fit into the locking rail top and bottom openings. Press the gate end into place. You may hear a slight click as the locking clip engages the locking rail. (Figure 9)

**Note:** Make sure both top and bottom docking pegs are engaged. You should not be able to lift up the gate locked end, if it is engaged correctly with the locking rail.



To unlock the gate, push down with your thumb on the locking clip, and pull up on the gate panel. (Figure 10)

You can remove the gate, as described in the installation instructions, for cleaning. The gate can be cleaned with a mild household detergent.

**Warning:**

To prevent serious injury or death, securely install gate and use according to manufacturer's instructions. Never use with a child or pet able to climb over or dislodge / open the gate.

Hardware included for use in solid materials only, such as wood or metal. Never leave child unattended. Use only with the locking / latching mechanism securely engaged.