

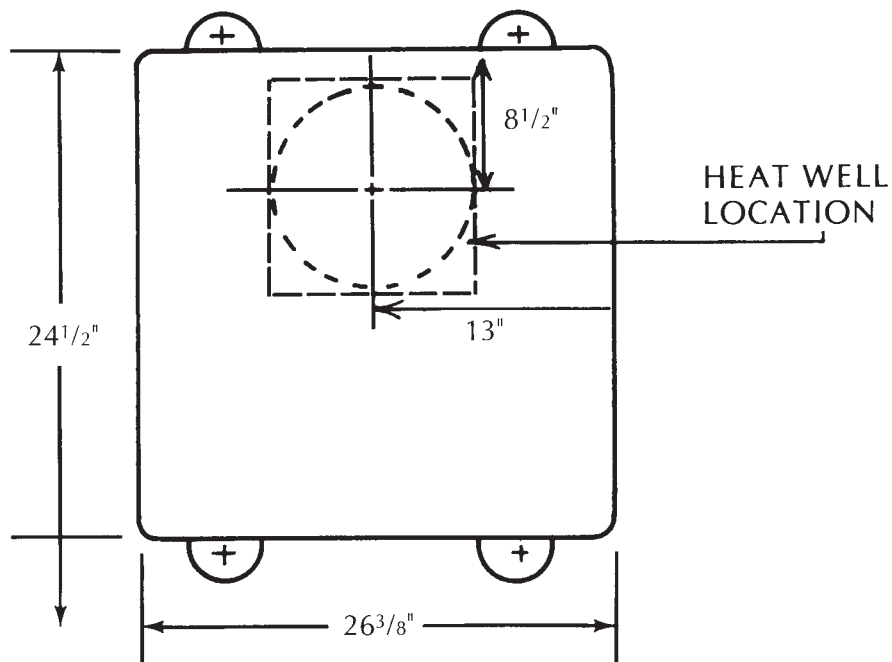


**Model  
#3330  
Beef - Dairy  
Waterer**

**#3330 Specifications**

1 - 8 3/4" opening / Ball closure

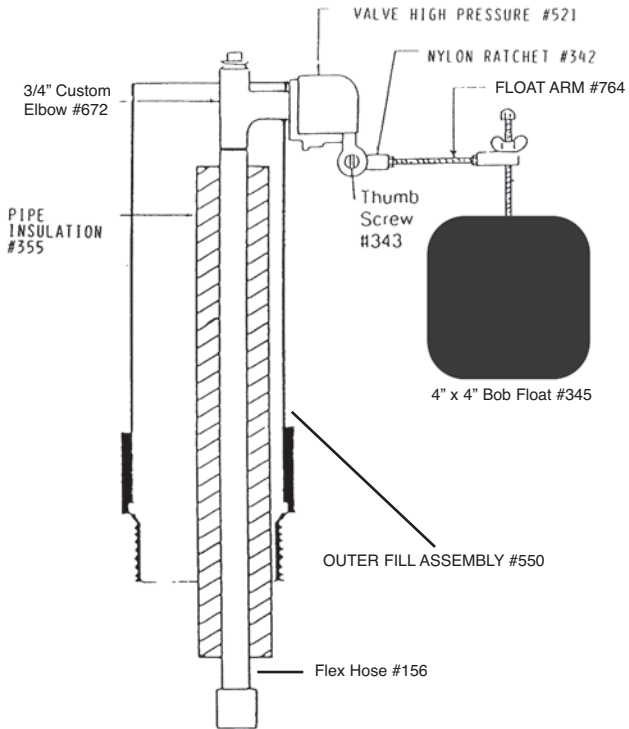
Capacity	Gallons	Dimensions	Weight
50 Hd. Beef 25 Hd. Dairy	15 (57 Liters)	26" x 28" x 14" tall (66 x 71 x 36 cm)	57# (26 Kg)



We recommend all anchor bolts be drilled in after the tank is set because dimensions may vary.

## PARTS PRICE LIST FOR #3330

Founts manufactured before May 2016 use Part #673 -  
3/4" Special "T" (\$11.55) in place of Part #672



Part #	Description
<b>447</b>	<b>Top assembly complete</b>
433	Top gasket 98"
544	Lid bracket
545	1/4" x 1" S.S. bolt
604	Inspection plug
712	Inspection plug gasket
<b>449</b>	<b>9" drinker ball</b>
<b>432</b>	<b>Base assembly complete</b>
347	5/16" x 3 1/4" S.S. washer
409	4" male adapter
550	Outer fill pipe
700	5/16" x 2" S.S. lag bolt
<b>452</b>	<b>#3330 parts bag</b>
306	5/16" x 2" S.S. bolt
322	2" rubber drain plug
344	3/8" x 3 3/4" S.S. anchor bolt
351	3/8" S.S. washer
352	5/16" x 1" S.S. bolt
353	Anchor clip
699	3/8" S.S. nut
420	Bottom gasket 92"
<b>440</b>	<b>Valve assembly</b>
521	Valve high pressure
672	3/4" custom elbow
<b>451</b>	<b>Float assembly</b>
342	Nylon ratchet
343	Brass thumb screw
345	4" x 4" bob float
932	Float arm
<b>156</b>	<b>2' Flex Hose</b>
355	Pipe insulation
400	Hose Clamp
396	3/4" Male x barb fitting