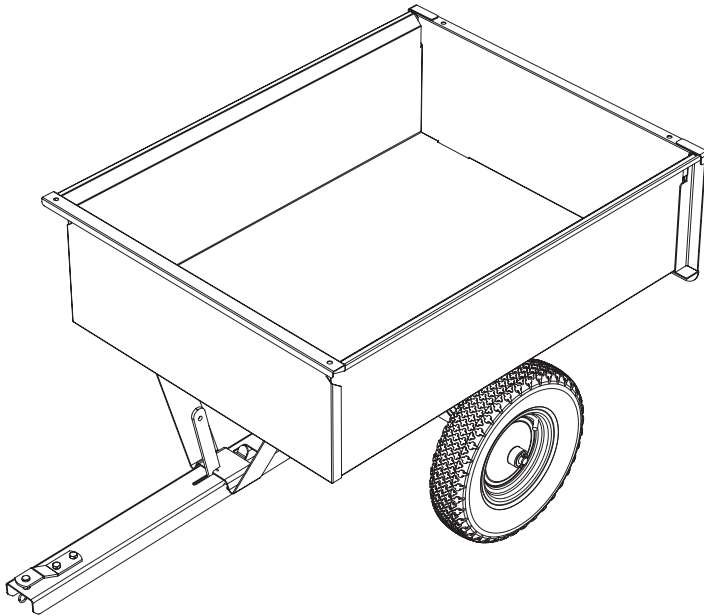


5301539

MODEL NO. TC-10-18-3

**10 CU. TRAILER CART WELDED ON FEATURES
ASSEMBLY / OPERATION INSTRUCTIONS / PARTS**



ASSEMBLY

Remove tailgate and turn cart upside down for ease of assembly.

1. Slide axle (Ref. 5) through axle support and tongue assembly (Ref. 12).
2. Center the axle and place wheel (Ref. 4) over axle followed by machine bushing (Ref. 9) on the outside of the wheel.
3. Secure with Cotter Pin (Ref. 14). Repeat procedure for the otherside.

USING YOUR DUMP CART

To Dump: Pull latch toward mower, and cart body will tilt back to dump position.

To Return To Pulling Position: Push down on the front of the cart body until latch engages and pedestal secures to the tow bar.

Tractor speed should be governed by weight of load. The heavier the load, the slower the speed for safe operation.

MAINTENANCE INSTRUCTIONS

Check tire pressure at regular intervals. Proper inflation will prolong life of tires.

NOTE: 850 lbs. maximum capacity

Approximate weight 1 Cu. Ft.

Dirt: 150 lbs.

Sand: 125 lbs.

Gravel: 110 lbs.

Max Speed: 4 MPH

**WARNING DANGER OF IMPROPER USE
OF TRAILER CART**

This unit is intended for use only with riding mowers or tractors. It is definitely not for highway use, being pulled at high speeds, or transporting passengers of any sort. Such use could result in injuries for which we cannot be held responsible.

PLEASE DO NOT RETURN THIS MERCHANDISE TO THE STORE. CALL US AND WE WILL TAKE CARE OF ANY PROBLEM YOU MIGHT HAVE WITH THIS PRODUCT.

HOW TO ORDER PARTS:

When ordering parts, always give model number, part number, part description and inspector number.

SEND TO:

FIMCO INC.

1000 Fimco Lane

North Sioux City, SD 57049

800-831-0027

P: 605-232-6800

F: 605-232-6814



WWW.FIMCOINDUSTRIES.COM

1000 FIMCO LANE • P.O. BOX 1700 • NO. SIOUX CITY, SD 57049

TOLL FREE: 800-831-0027 • TOLL FREE FAX: 800-494-0440

Form No. 1268

(5004774

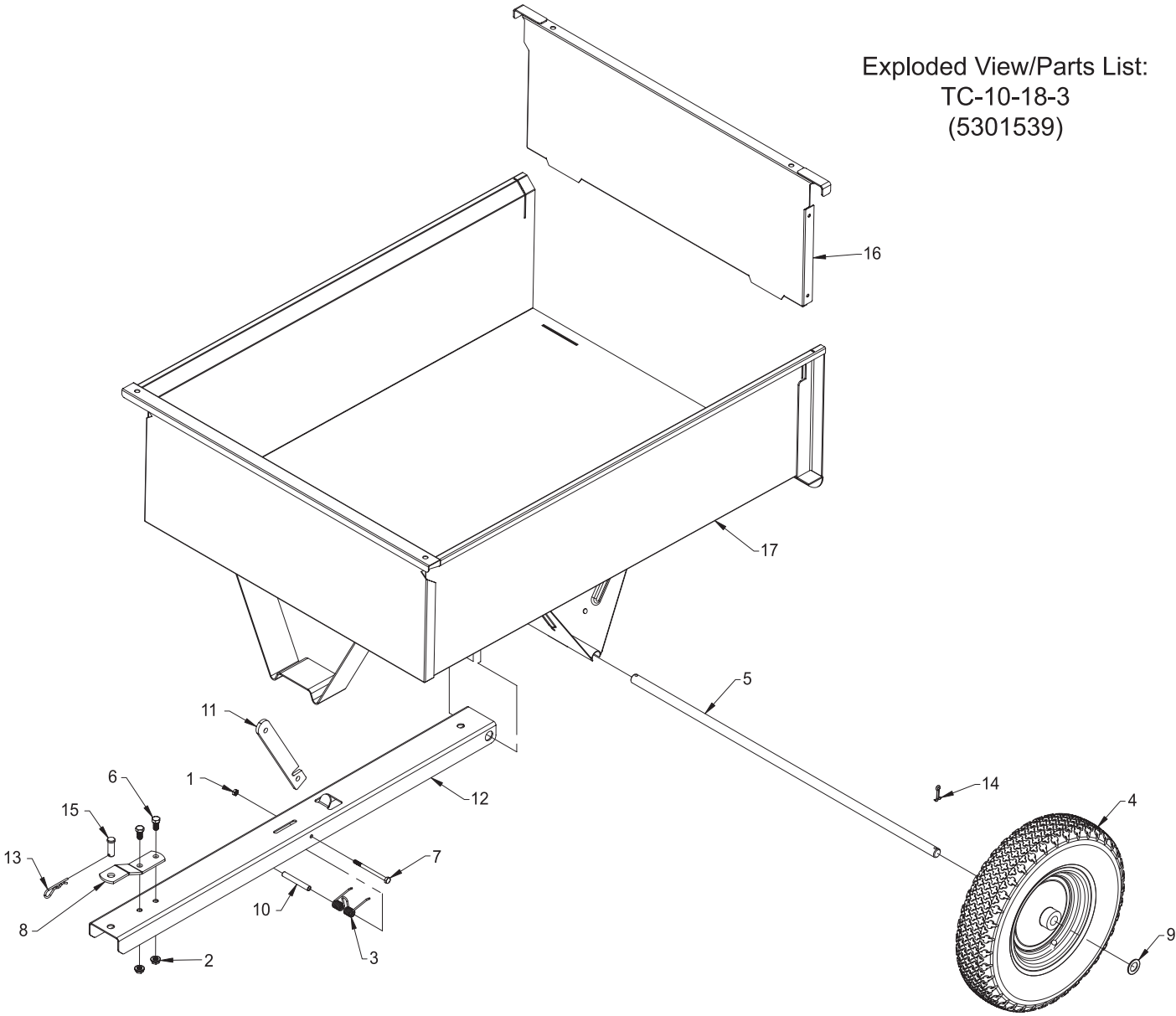
11/06)

Printed In U.S.A.

LIMITED WARRANTY

This unit is warranted against defects in materials and workmanship to the original purchaser, under normal use and service, for a period of ninety (90) days from date of sale. During the warranty period, we will repair or replace at our option free of charge to the original purchaser, any part of the unit that our examination shows to be defective in workmanship or materials. This warranty does not apply to damage in transit or damage caused by misuse, abuse, neglect, normal wear, or alterations by unauthorized persons.

Exploded View/Parts List:
 TC-10-18-3
 (5301539)



Item No.	Part Number	Qty	Description	List Price
1	5006160	1	1/4"-20 Hex Locknut	.25
2	5006259	2	3/8"-16 Hex Whiz (Flange) Locknut	.18
3	5019262	1	Tongue Spring, Zinc-Plated	1.49
4	5021090	2	Tire, 4.80 x 8 (2-Ply)	29.67
5	5024099	1	Axle (10 Cu. Ft. Dump Cart)	12.08
6	5034099	2	H.H.C.S., 3/8"-16 x 3/4"	.30
7	5034321	1	H.H.C.S., 1/4"-20 x 3 1/2"	.45
8	5038722	1	10 Cu. Ft. Dump Cart Hitch	4.54
9	5041094	2	Machine Bushing, 3/4" I.D. (14 Ga.) x 1 1/4" O.D.	.50
10	5041141	1	Tongue Latch Bushing	.63
11	5090008	1	Dump Cart Latch	2.42
12	5096099	1	Tongue (10 Cu. Ft. Dump Cart)	22.12
13	5101065	1	Hair-Pin Cotter (0.120" Dia.)	.40
14	5101207	2	Cotter Pin, 5/32" x 1 3/4"	.10
15	5101268	1	1/2" x 1 1/2" Clevis Pin	.75
16	5275026	1	Clip-To-Tailgate Weldment (10 Cu. Ft. Dump Cart)	30.54
17	5275481	1	10 Cu. Ft. Cart Weldment	