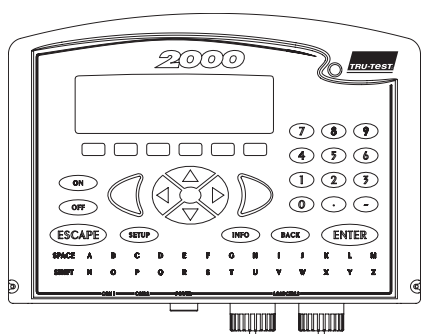
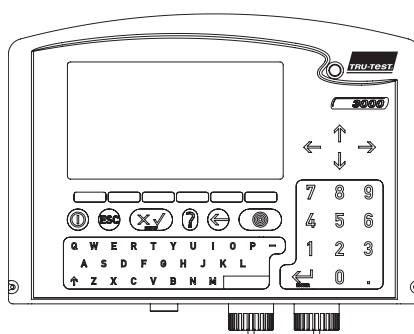


COMPULSORY SERVICE

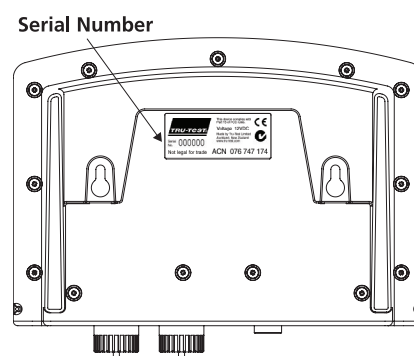
TRU-TEST 2000 AND 3000 SERIES LIVESTOCK WEIGH SCALE INDICATORS PURCHASED BETWEEN 1998 AND 2008



2000 series - front view



3000 series - front view



2000/3000 series - rear view

As a safety precaution, a compulsory service has been announced for older Tru-Test livestock weigh scale indicators, most likely to have been purchased between 1998 and 2008.

Which products are affected?

- Tru-Test 2000 series weigh scale indicators (grey in color, manufactured 1998-2005, serial numbers from 120 to 15316)
- Tru-Test 3000 series weigh scale indicators (yellow in color, manufactured 2002-September 2008, serial numbers from 7728 to 22477)

What's the issue?

The batteries used in these particular indicators can emit small amounts of hydrogen gas. Over time, it is possible for pressure to build up within the indicator and this may result in the front panel of the indicator cracking with force.

What should you do?

If you own or use an affected indicator please contact us to arrange a quick and convenient compulsory service at no cost:

Email: recall@tru-test.com

Phone: 800-874-8494 ext. 242

Web: www.tru-test.com