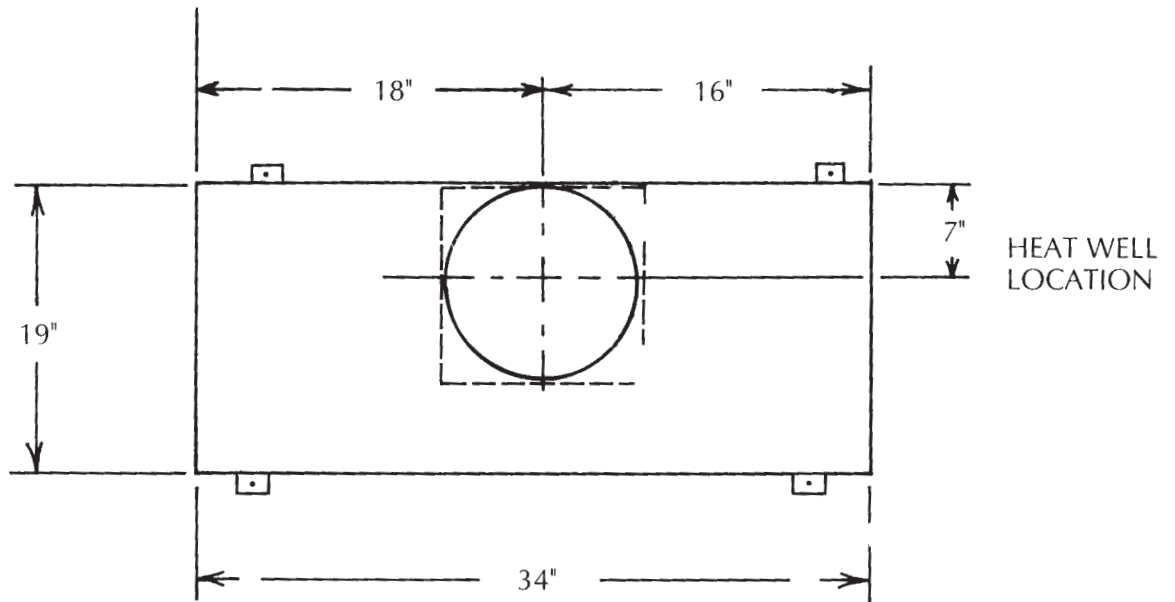


**Model
#3410
Hog Waterer**

#3410 Specifications

2 - 10" openings / Lift up lids

Capacity	Gallons	Dimensions	Weight
100 Market Hogs 50 Sows	6 (23 Liters)	19" x 34" x 16" tall (48 x 86 x 41 cm)	52# (24 Kg)



We recommend all anchor bolts be drilled in after the tank is set because dimensions may vary.

PARTS PRICE LIST FOR #3410

Part #	Description
--------	-------------

- | | |
|------------|------------------------------|
| 714 | Top assembly complete |
| 918 | Top assembly without lids |
| 715 | Hinge rod |
| 716 | Lift up lid |
| 544 | Lid bracket |
| 545 | 1/4" X 1" S.S. bolt |
| 726 | Inspection plug |
| 636 | Hinge pin bushing |
| 729 | Inspection plug gasket |
| 762 | Top gasket 103" |

- | | |
|------------|-------------------------------|
| 718 | Base assembly complete |
| 706 | 5/16" x 2 1/2" S.S. lag bolt |
| 730 | Overflow & vent tube |
| 347 | 5/16" S.S. washer |

- | | |
|------------|---------------------------------|
| 728 | #3410 parts bag |
| 344 | 3/8" x 3 3/4" S.S. anchor bolt |
| 351 | 3/8" S.S. washer |
| 352 | 5/16" x 1" S.S. bolt |
| 353 | Anchor clip |
| 699 | 3/8" S.S. nut |
| 442 | Drain plug with bolt |
| 786 | Outer fill assembly |
| 456 | Bottom gasket 101" |
| 421 | Valve assembly |
| 521 | Valve high pressure |
| 340 | 1 1/2" trap adapter nut |
| 419 | 3/4" female adapter with gasket |
| 348 | 1/4" x 3/4" rubber gasket |
| 765 | Float assembly |
| 342 | Nylon ratchet |
| 343 | Brass thumb screw |
| 345 | 4" x 4" bob float |
| 764 | Float arm |

- | | |
|------------|-----------------------------|
| 423 | Inside fill assembly |
| 355 | Pipe insulation |
| 337 | 3/4" female adapter |
| 961 | 3/4" fill pipe |

