

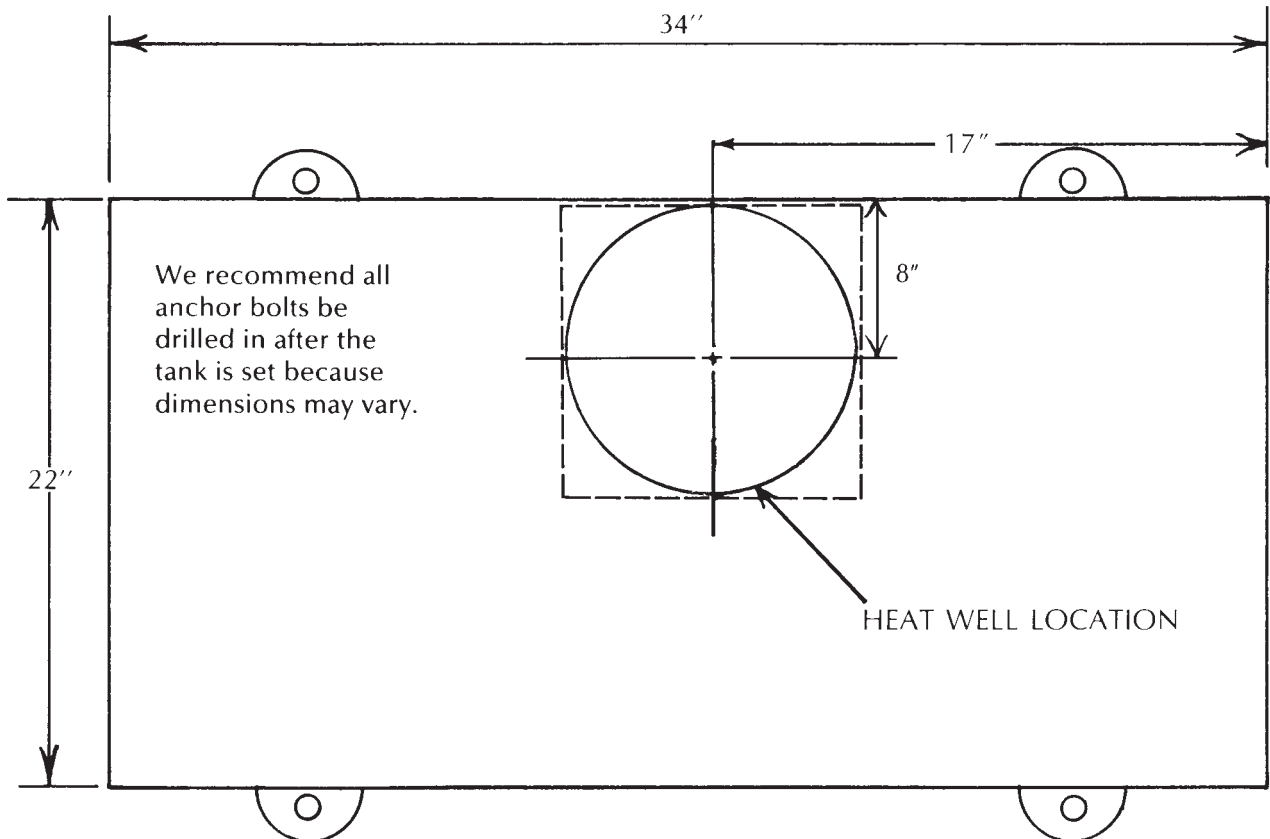


**Model
#3465
Beef - Dairy
Waterer**

#3465 Specifications

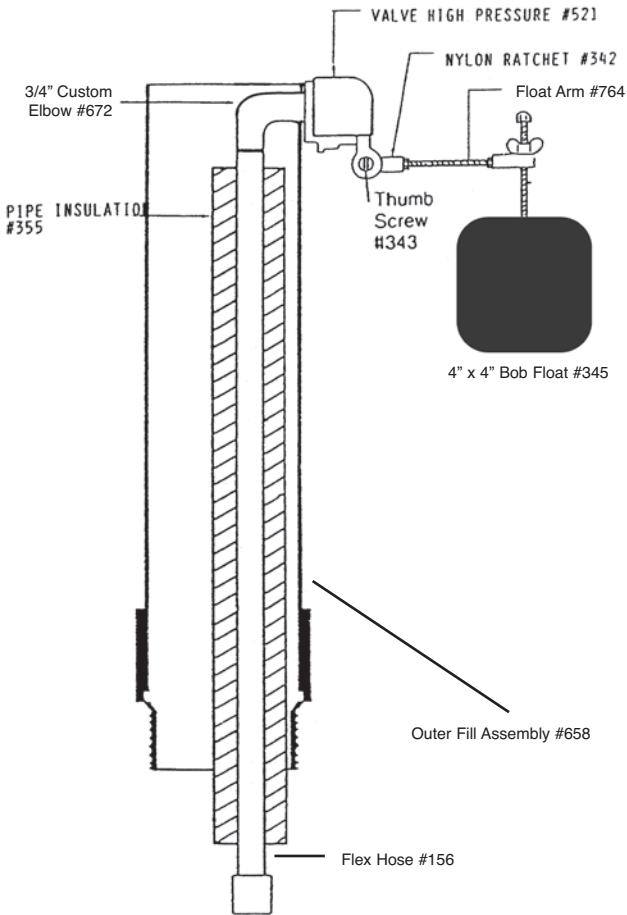
2 - 9 1/4" openings / Ball closures

Capacity	Gallons	Dimensions	Weight
100 Hd. Beef 40 Hd. Dairy	20 (75 Liters)	24" x 36" x 18" tall (61 x 91 x 46 cm)	79# (36 Kg)



PARTS PRICE LIST FOR #3465

Founts manufactured before May 2016 use Part #673 - 3/4" Special "T" (\$11.55) in place of Part #672



Part #	Description
805	Top assembly complete
306	5/16" x 2" S.S. bolt
878	5/16" S.S. washer
804	Dome 50"
806	Dome gasket
520	Top gasket 106"
571	10" drinker ball
455	Base assembly complete
347	5/16" x 3/4" S.S. washer
409	4" male adapter
658	Outer fill pipe
706	5/16" x 2 1/2" S.S. lag bolt
459	#3465 parts bag
306	5/16" x 2" S.S. bolt
322	2" rubber drain plug
344	3/8" x 3 3/4" S.S. anchor bolt
351	3/8" S.S. washer
352	5/16" x 1" S.S. bolt
353	Anchor clip
699	3/8" S.S. nut
456	Bottom gasket 101"
440	Valve assembly
521	Valve high pressure
672	3/4" custom elbow
765	Float assembly
342	Nylon ratchet
343	Brass thumb screw
345	4" x 4" bob float
764	Float arm
156	2' Flex Hose
355	Pipe insulation
400	Hose Clamp
396	3/4" Male x barb fitting