
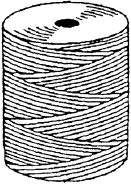




Supplies for the Speedy Stitcher		Needles
Waxed Polyester Thread (Tan)		No. 130 - #4
No. 140 Coarse No. 160 Fine	No. 150 Coarse	No. 130A - #8S
		
30 Yd. Skein	180 Yd. Tube	
	180 Yd. Tube	No. 130B - #8C

**IMPORTANT** — Fine sewing requires FINE THREAD and the 130 - #4 NEEDLE. Both are pictured above. If these supplies are not available from your dealer, we will be pleased to send you a price list and order form upon request. Simply send postcard to:

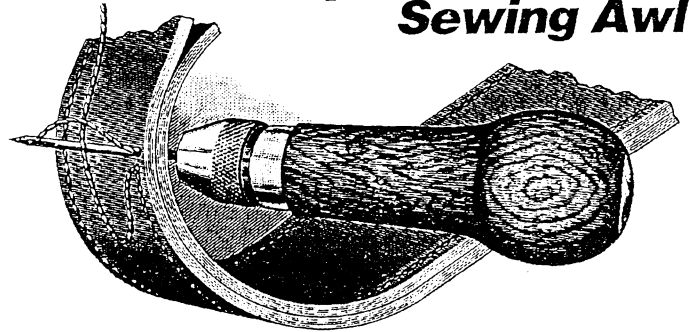
Dept S  
**STEWART MFG. CO., INC.**  
 P.O. Box 643  
 Northboro, MA 01532-0643

# The Speedy Sewing Awl

MANUFACTURED SOLELY BY  
*Stewart Manufacturing Co., Inc.*  
 455 Whitney Avenue • P.O. Box 643 • Northboro, MA 01532-0643

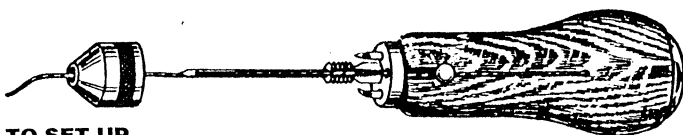
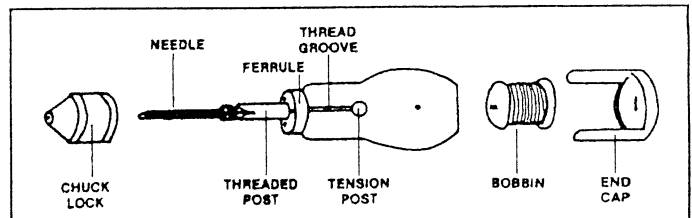
# Instruction Guide

## for the Speedy Stitcher Sewing Awl



### AN INDISPENSABLE TOOL FOR SEWING

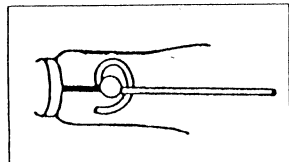
- AWNINGS
- TENTS
- UPHOLSTERY
- SHOES
- ALL TYPES OF SPORTING EQUIPMENT
- SAILS
- AUTO TOPS
- SADDLES
- HANDBAGS



#### TO SET UP

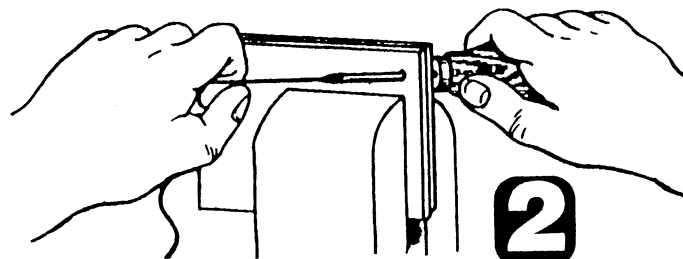
- Unscrew chuck lock to find needles.
- Pull end of thread from bobbin through hole in handle.
- Loop thread around tension post as shown in Detail 'A'.
- Continue thread along handle groove and through ferrule hole as illustrated.
- Place needle in threaded post making sure that grooves in needle and threaded post are in alignment with each other.
- Pass thread through eye of needle, then through chuck lock as shown.
- Screw chuck lock onto threaded post and tighten securely.

**1**



#### DETAIL 'A'

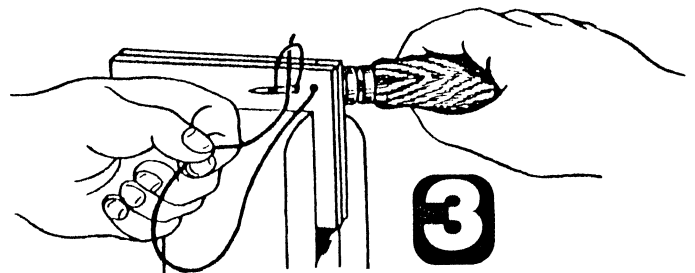
- When looping thread around tension post, be sure to pass it under the thread coming from hole in handle as shown above, otherwise it will not feed freely.



**2**

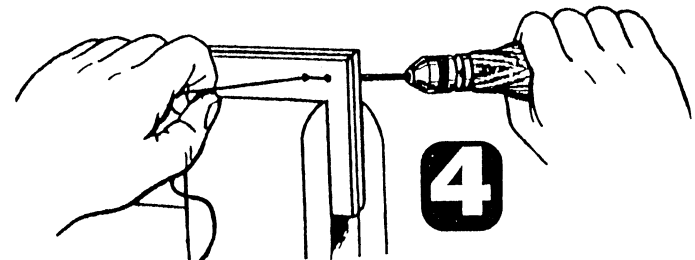
#### TO STITCH

- Push needle through material and draw out enough thread to do the length of work involved, plus about 3" more.
- Draw thread through material so that the full length of thread is pulled through the hole in which the needle rests.
- Hold thread in position and pull needle back through the material and start it through a second hole.



**3**

- Push needle as far as it will go, then draw back enough so that the thread forms a loop as shown.
- Pass all of the thread through this loop.



**4**

- While holding thread taut in one hand, draw needle out with other hand. This forms a lock-stitch in the material.
- Draw equally hard on the Awl and the loose end of the thread.
- Before taking another stitch, release more thread between the needle and the material to allow you to move the Awl back and start the next hole.
- Continue same procedure until finished.
- After you have finished your stitching, use the following procedure to tie off the thread. On your last stitch, instead of passing thread through the loop, grasp loop and pull out about 3 inches of thread. Cut thread. Then pull Awl and needle out of material. Now you have both ends of thread on same side of material for tying off. Use square knot.