

Notes:

Bearing points are grease fitted. Lubricate as necessary for smooth operation.

Step 1:

Before running any animals through the headgate, put the gates in the holding position, as shown in Fig. 1. There are three different slots on both the top and the bottom of each stanchion. Lift the two pins on each stanchion and slide the stanchion to the desired setting. Replace the pin by sliding it through one of the three slots.

NOTE: The neck opening must correspond with the neck size of the animals being caught.

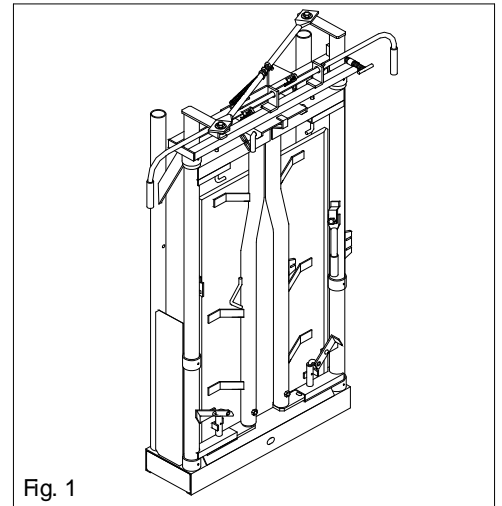


Fig. 1

Step 2:

Push the trip handle back, as shown in Fig. 2. The headgate is now in entry position. Adjust this opening by tightening the bolt on the top linkage arm.

NOTE: This opening should be large enough to catch the shoulders as the animal approaches and pushes the gates forward to the holding position.

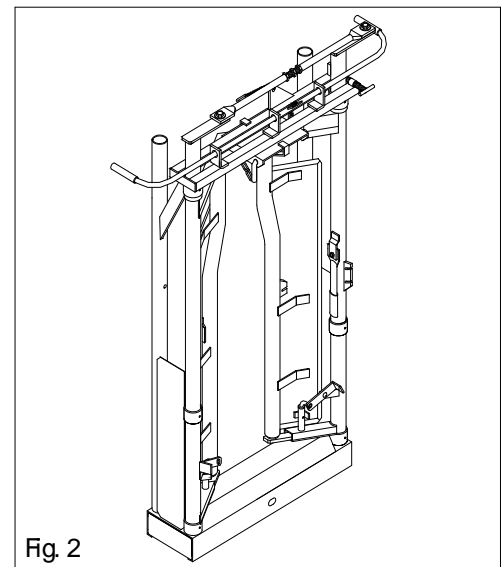


Fig. 2

Step 3:

To release the animal, pull the trip handle forward as shown in Fig. 3. When the animal pushes forward, the gates will open for a free exit. A spring will return the headgate back into holding position. Push the trip handle backwards as shown in Fig. 2 to return the gates back to catch position.

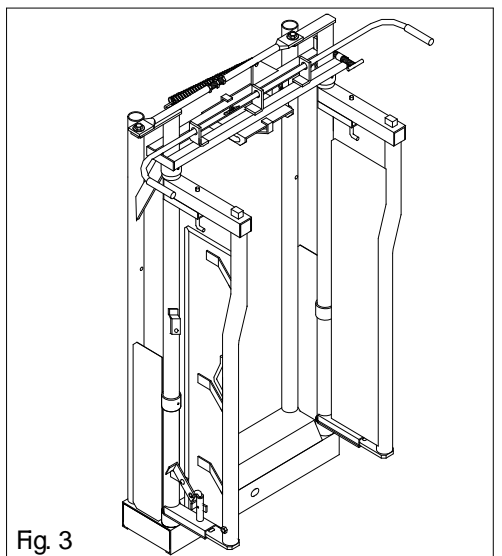


Fig. 3