

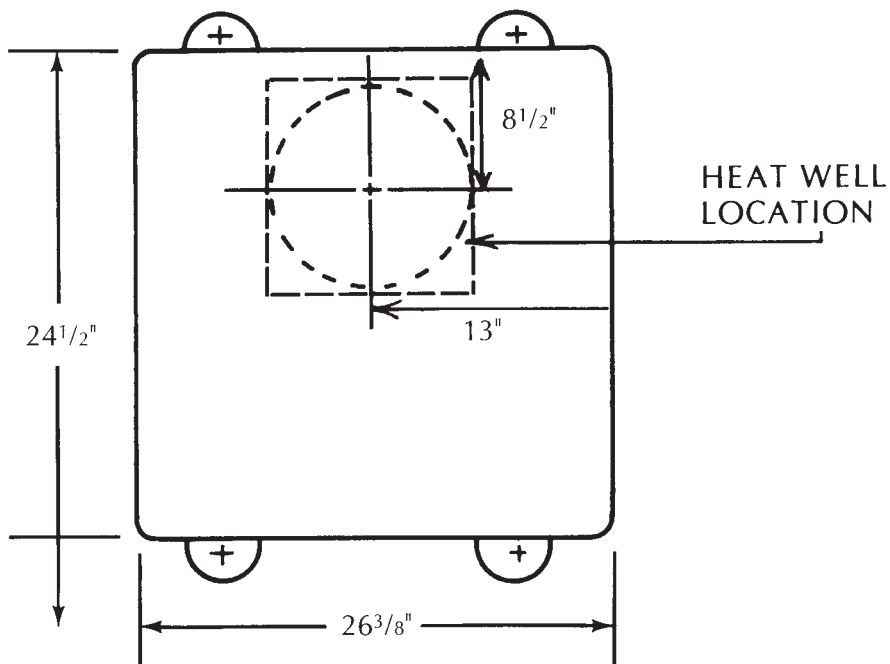


**Model
#3340E
Sheep Waterer
Electric**

#3340E Specifications

4 - 6" openings / Ball closures / Electric

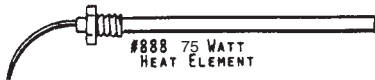
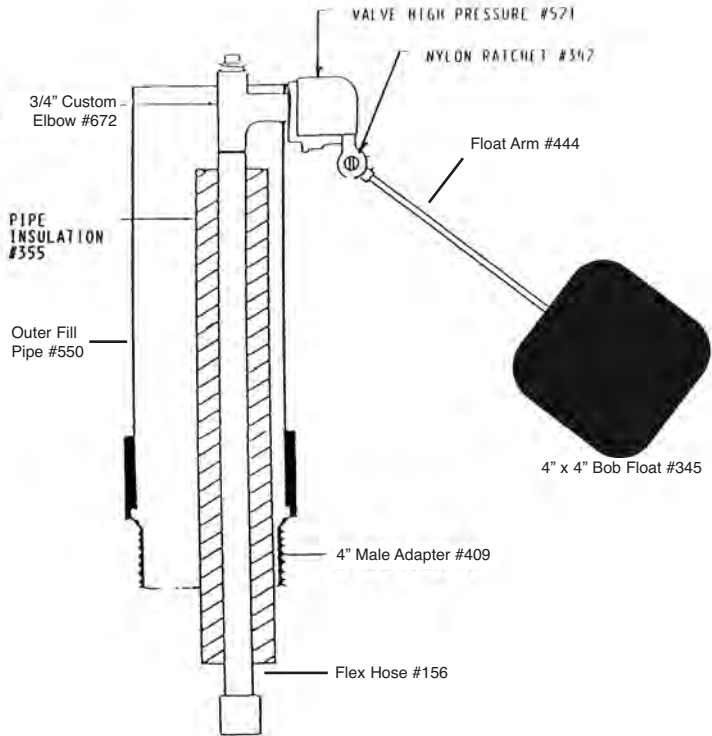
Capacity	Gallons	Dimensions	Weight
100 Sheep	15 (57 Liters)	26" x 28" x 14" tall (66 x 71 x 36 cm)	57# (26 Kg)



We recommend all anchor bolts be drilled in after the tank is set because dimensions may vary.

PARTS PRICE LIST FOR #3340E

Founts manufactured before May 2016 use Part #673 - 3/4" Special "T" (\$11.55) in place of Part #672



Part #	Description
434	Top assembly complete
433	Top gasket 98"
435	Ball retainer flap
438	7" drinker ball
900	Base assembly complete
550	Outer fill pipe
700	5/16" x 2" S.S. lag bolts
347	5/16" x 3/4" S.S. washer
886	Inspection cap
887	Thermostat*
888	Heat element*
889	1/4" x 1 1/4" Truss H.D. bolt
890	Inspection cap gasket
893	Wire connector
446-5	#3340E parts bag
306	5/16" x 2" S.S. bolt
322	2" rubber drain plug
344	3/8" x 3 3/4" S.S. anchor bolt
351	3/8" S.S. washer
352	5/16" x 1" S.S. bolt
353	Anchor clip
699	3/8" S.S. nut
420	Bottom gasket 92"
919	Heat cable*
440	Valve assembly
521	Valve high pressure
672	3/4" custom elbow
445	Float assembly
342	Nylon ratchet
343	Brass thumb screw
345	4" x 4" bob float
444	Float arm 2 1/2"
156	2' Flex Hose
355	Pipe insulation
400	Hose Clamp
396	3/4" Male x barb fitting