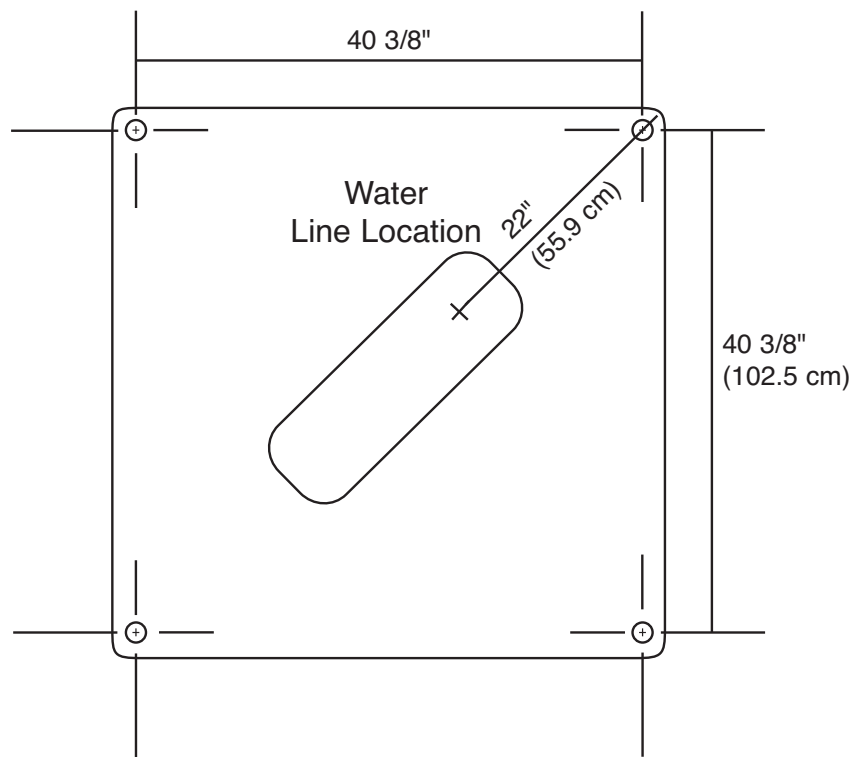


**Model**  
**#3500 LilSpring**  
 Multipurpose Waterer  
 w/Heat - Add #162

Capacity	Gallons	Dimensions	Weight
225 Hd. Beef 110 Hd. Dairy	40 (152 Liters)	42" x 42" x 26" (107 x 107 x 66 cm)	145# (65 Kg)



## PARTS PRICE LIST FOR #3500

Part #	Description
<b>392-5</b>	<b>Reservoir only</b>
448	Valve compartment cover
938	Valve compartment cover clip
182	S.S. compression spring
944	5/16" S.S. lock nut
306	5/16" x 2" S.S. bolt
347	5/16" x 3/4" S.S. washer
439	Valve compartment gasket 56"
469	Access cover
403	Access cover gasket
284	1/4" x 1 1/4" ss sidewalk bolt
<b>470</b>	<b>#3500 parts bag</b>
167	Valve Assembly Strap
292	1/4" x 1/2" Side Walk Bolt
984	3" rubber drain plug
344	3/8" x 3 3/4" S.S. anchor bolt
351	3/8" S.S. washer
699	3/8" S.S. nut
443	Bottom gasket 160"
<b>219</b>	<b>Valve assembly</b>
521	High Pressure Valve
339	3/4" St. L
957	Female coupling
158	2' Flexhose w/shutoff
<b>425-5</b>	<b>Float assembly</b>
342	Nylon ratchet
343	Brass thumb screw
345	4" x 4" Bob Float
424	Float arm 3 1/4"
<b>162</b>	<b>#3500 heater kit*</b>
543-5	Water warmer* 500 watt
919-5	Heat cable w/cord*

