

# TUNG-N-CHOK™



Dealer,

Wind blown, mud sucking, sand sinking, unlevel lots can cause your display units to lean or tip over, costing you plenty.

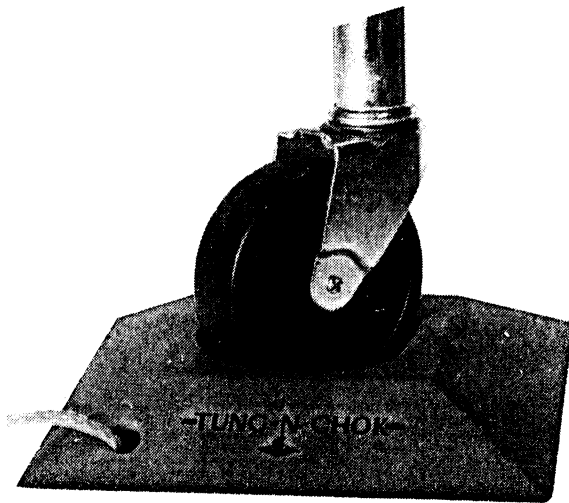
Then there are those warm days that heat up the asphalt allowing your display unit's tongue wheel to sink-in, pocket scarring your lot.

Not to mention the customer wandering inside your showroom who decides to use your display unit as a leaning post resulting in a toppled, damaged unit and marked floor.

All these things do happen which led us to develop a simple stabilizing device called the Tung-n-Chok.

Not only does the Tung-n-Chok prevent damage but it is so inexpensive that you can offer it as a free promo to help sell your product.

Sounds simple, it is! - read on . . .



## EASY TO USE

Place the Tung-n-Chok under your unit's trailer tongue wheel. Heavy weight trailer tongue wheels may be place directly into the Tung-n-Chok's center dish formation. Lighter weight trailer tongue jacks can be easily rolled up the sloped sides of the Tung-n-Chok into its center dish.

## WHY IT WORKS

The center disk shape prevents the tongue wheel from moving. The Tung-n-Chok's square design keeps weight distributed evenly. The web construction on the underside of the Tung-n-Chok grabs all types of surfaces.

## TOUGH

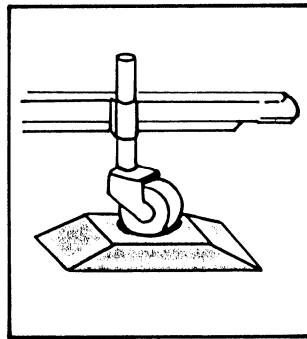
Lightweight but constructed to withstand tremendous loads, the patented Tung-n-Chok is built to last. Made in the U.S.A. , this durable unit is guaranteed against damage from chemicals, fuel, or ultraviolet rays. It will not bleach, fade, crack, or peel and comes with a 5 year warranty.



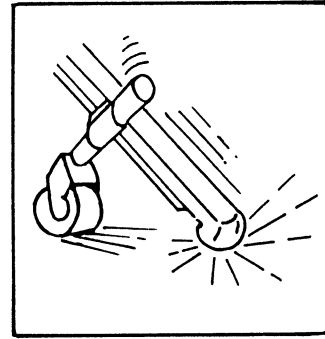
## TESTED

Tung-n-Chok has received the seal of approval from the North American Fishing Club.

- SKID-PROOF
- TOUGH
- LIGHTWEIGHT
- 5 YR. WARRANTY



TUNG-N-CHOK



PREVENTS THIS