

The EZE Bloodless

Castrator model #T1

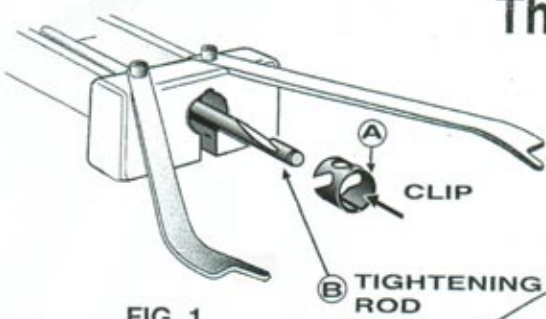


FIG. 1

INSTRUCTIONS:

1 PLACE CLIP (A) IN HOLE AT THE FRONT OF THE BLOODLESS CASTRATOR AS SHOWN WITH SIDE HOLE AT TOP AS SHOWN IN FIG.1

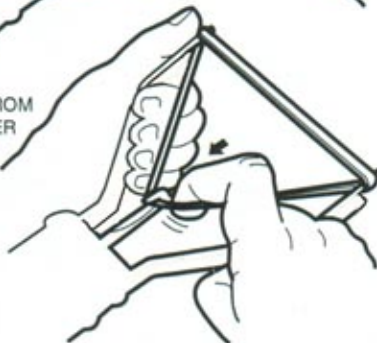
2 FOR BEST RESULTS HOLD EZE UNDER YOUR LEFT ARM FOR RIGHT HANDED PEOPLE. REST STAINLESS STEEL HANDLE ON YOUR FOREARM HOLDING RUBBER RING WITH YOUR LEFT THUMB. PULL RUBBER RING ACROSS TO THE OTHER TIP OF THE SPREADER BAR.

(STAINLESS STEEL SIDE GRIP HANDLE CAN BE REMOVED AND SCREWED IN TO RIGHT SIDE OF EZE FOR A LEFT HANDED PERSON.)

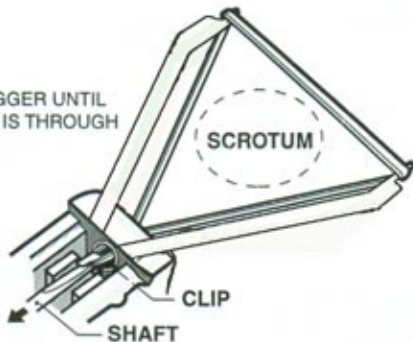
3 STRETCH RUBBER RING OVER TIP OF RIGHT SPREADER BAR



4 PULL RUBBER RING FROM BOTTOM OF LOOP OVER TOP OF SHAFT HOOK



5 SQUEEZE TRIGGER UNTIL RUBBER RING IS THROUGH THE CLIP.



NOTE:
USE RELEASE TRIGGER ON EZE TO RELEASE "T" HANDLE FOR RESETTING.

FIG. 2



6 HOLD SCROTUM FORWARD AND PULL BACK ON EZE UNTIL RUBBER RING COMES OFF THE SPREADER BARS.



7 HOLD SIDE HANDLE AND PULL "T" HANDLE AT REAR OF EZE AS TIGHT AS YOU CAN.



8 CONTINUE HOLDING SIDE HANDLE AND WITH YOUR OTHER HAND FINISH TIGHTENING UNTIL HOOK ON SHAFT IS WITH IN 1" OF HANDLE.



9 RELEASE SIDE HANDLE AND PUSH FRONT LEVER FORWARD TO CRIMP CLIP.



10 PUSH SMALL LEVER FORWARD TO CUT RUBBER RING.

LOOK ON BACK FOR TIPS AND WARRANTY