

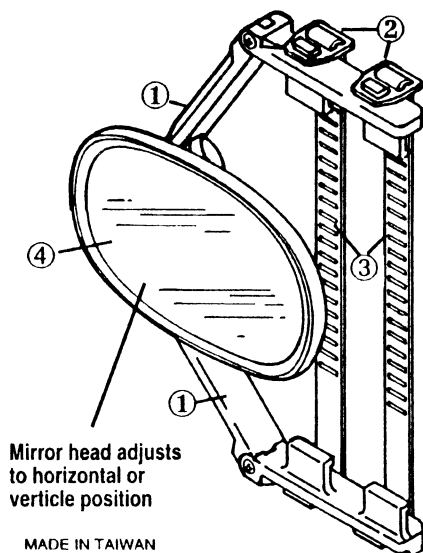
XL Clip On Tow Mirror

Fits Larger O.E.M. Mirrors

- Adjusts from 4.4" to 11.5"
- Easily and securely attaches with adjustable straps
- Does not obstruct view of existing mirror
- Fits pickup and S.U.V. left or right side mirrors
- Fully adjustable head for clear vision
- No tools required for installation



U.S. Patent Number Des. 350,521



Mirror head adjusts to horizontal or verticle position

MADE IN TAIWAN

INSTALLATION INSTRUCTIONS

1. Adjust mirror arms so they fit your vehicle mirror.
2. Size rubber strap with quick release adjuster clip.
3. Stretch strap around vehicle mirror and hook to mirror arm.
MAKE SURE RUBBER STRAPS ARE VERY TIGHT.
4. Adjust mirror head for desired visibility
5. Periodically check that mirror is securely attached.
6. Remove "CLIP ON MIRROR" when not towing.

Replacement straps are available seperately,
Part # 30-0098

PRIME PRODUCTS, PARAMOUNT, CA 90723