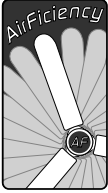


Read and Save These Instructions



AirFiciency CF60E Heavy Duty Industrial Ceiling Fan

IS177-12F

Read Instructions carefully before assembling or installing your fan.

It is important that you observe all safety information to help prevent personal injury and/or property damage.

Warranty

The retailer warrants the fan motor to be free from defects in workmanship and material present at time of shipment from the factory for a lifetime after the date of purchase by the original purchaser. The retailer also warrants all other fan parts to be free from defects in workmanship and material at the time of shipment from the factory for a period of one year after the date of purchase by the original purchaser. We agree to correct such defects without charge or at our option, replace with a comparable or superior model if the product is returned to the retailer. To obtain warranty service, you must present a copy of the receipt as proof of purchase. All costs of removing and reinstalling the product are your responsibility. Damage to any part such as by accident or misuse or improper installation or affixing any accessories, is not covered by this warranty. A certain amount of "wobble" is normal and should not be considered a defect. Service performed by unauthorized persons shall render the warranty invalid. There is no other express warranty. This warranty does not apply to any damage that is the result of rust or corrosion. The retailer hereby disclaims any and all warranties, including but not limited to, those of merchantability and fitness for a particular purpose to the extent permitted by law. The duration of any implied warranty which cannot be disclaimed is limited to the time period as specified in the express warranty. Some states do not allow limitation on how long an implied warranty lasts, so the above limitation may not apply to you. The retailer shall not be liable for the incidental, consequential, or special damages arising out of or in connection with product use or performance except as may otherwise be accorded by law. Some states do not allow the exclusion of incidental or consequential damages, so the above exclusion or limitation may not apply to you. This warranty gives specific legal rights, and supersedes all prior warranties. Shipping costs for any return of product as part of a claim on the warranty must be paid by the customer.

Important Safety Instructions

- **WARNING** • Installation work and electrical wiring should be done by qualified persons only in accordance with all applicable codes and standards.
- **WARNING** • Unplug or disconnect the fan before servicing.
- **WARNING** • Use this fan only in the manner intended by the manufacturer. This fan is intended for permanent installation and to be used for air circulation only.
- **WARNING** • The secondary support cable included with the fan must be properly connected.
- **WARNING** • The fan shall be supported directly from the building structure. To reduce the risk of personal injury, use only the enclosed hardware as the primary means of support.
- **WARNING** • To reduce the risk of personal injury, do not bend the blade brackets when installing the brackets, balancing the blades, or cleaning the fan. Do not insert foreign objects in between rotating fan blades.
- **WARNING** • Ceiling fans without guards are to be installed at least ten feet above the floor with adequate clearance between blades and adjacent walls, furnishing, etc.
- **WARNING** • When mounted in a cathedral ceiling, blade tips should be at least one foot from the angled roof line or air turbulence may cause fan to sway.
- **WARNING** • The supporting beam must be capable of holding a minimum of 80 pounds.
- **WARNING** • Do not operate any fan with a damaged cord. Discard fan or return to an authorized service facility for examination and/or repair.
- **WARNING** • To avoid personal injury or damage to the fan and other items, be cautious when working around or cleaning the fan.
- **WARNING** • After making electrical connections, spliced conductors should be turned upward and pushed carefully up into outlet box. The wires should be spread apart with the grounded conductor and the equipment-grounding conductor on one side of the outlet box.
- **WARNING** • To reduce the risk of shock, this fan must be installed with a wall control/switch.
- **WARNING** • To reduce the risk of fire, electric shocks, and/or personal injury, only wire single or multiple fans to wall-control panel/switch that is compatible with the combined amount of amp draw required. Wiring ceiling fan/s to non compatible wall-control panel/switch may cause the circuitry to fail by over-heating. Please do not attempt to defeat this feature of the ceiling fan system as doing so will void the warranty, both explicit and implicit stipulations thereof.

Unpacking

- Carefully remove fan and parts from carton and check for shipping damage
- Check parts list against carton contents
- Do not install blades before mounting fan

Parts List

- 1 – Pre-assembled fan without blades
- 3 – Blades with brackets attached
- 6 – Bolts, lock washers and flat washers
(attached to motor housing)
- 1 – Mounting Plate
- 3 – Plastic wire connectors

Tools and Supplies

- Screwdrivers, slot and Phillips head
- Metal outlet box - grounded
- Level

Electrical Hookup

The installation shall be in accordance with the
National Electrical Code, ANSI/NFPA 70 - 1999 and local codes.

Disconnect power at main service panel.

Lock in open position and tag it to prevent unexpected power application.

Check that power source conforms to electrical requirements of fan.

All electrical hookups should be made by a qualified person.

Mounting

Figure 1

Make sure electrical power is shut off.

The ceiling outlet box **MUST** be metal and anchored securely enough to support a minimum of 80 lbs.

Loosen the 2 fixture mounting screws as shown in Figure 1.

Slide mounting plate onto the ceiling outlet box and secure by tightening the 2 fixture mounting screws.

Check to make sure that the mounting plate is level. If it is not level use washers (not provided) secured with mounting screws between ceiling outlet box and mounting plate. Failure to level the mounting plate will cause your installed fan to wobble, creating noise and strain on the fan, and reducing the motor life.

Once mounting plate is properly installed, direct the electrical wires down so they are accessible.

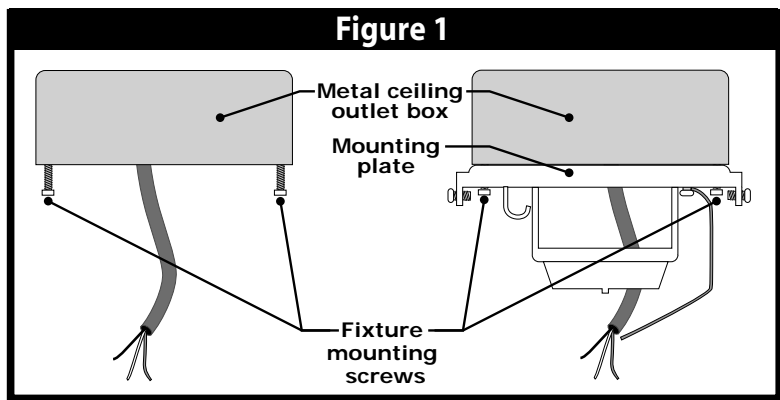
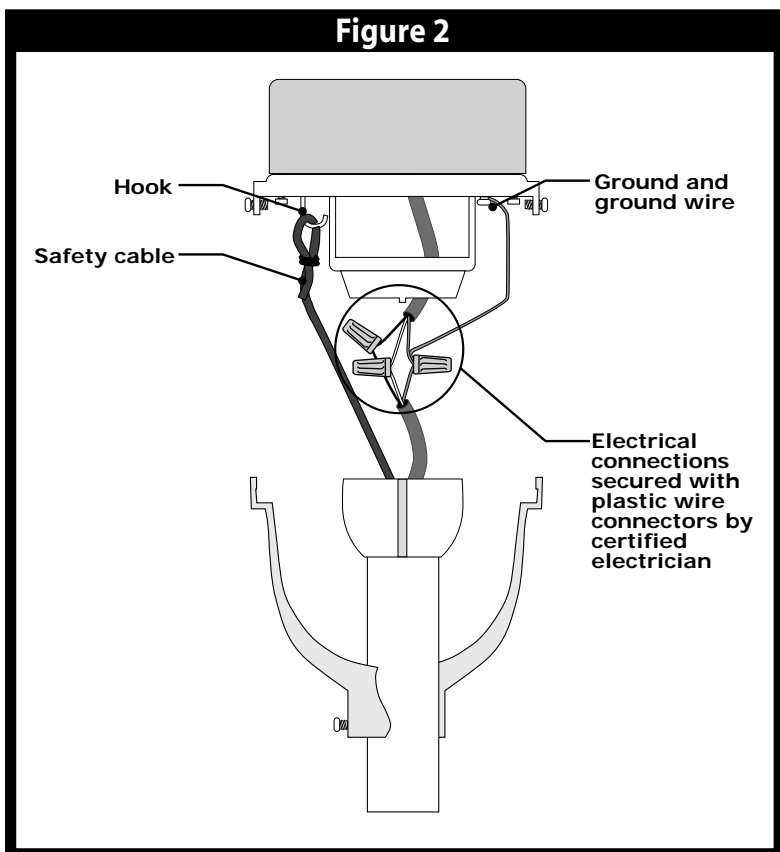


Figure 2

Lift fan body (without blades) up to mounting plate and hook the metal safety cable securely over the hook on the mounting plate as shown in Figure 2.

Connect the electrical wires. All electrical connections should be done by a certified electrician.



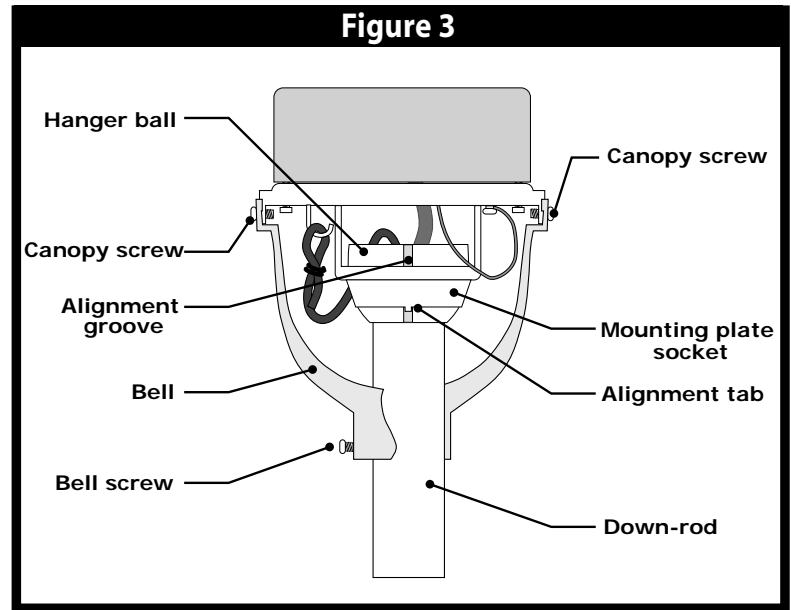
Mounting continued

Figure 3

Once all electrical work has been done, position the wiring back up into the ceiling outlet box.

Lift and set the hanger ball into the mounting plate socket by aligning the groove in the hanger ball with the tab on the mounting plate socket as shown in Figure 3.

Slide bell up to mounting plate and rotate to align locking slots in bell with canopy screws. Secure bell to mounting plate with canopy screws. Lightly tighten the bell screw that snugs the bell to the down-rod.



Attaching Blades

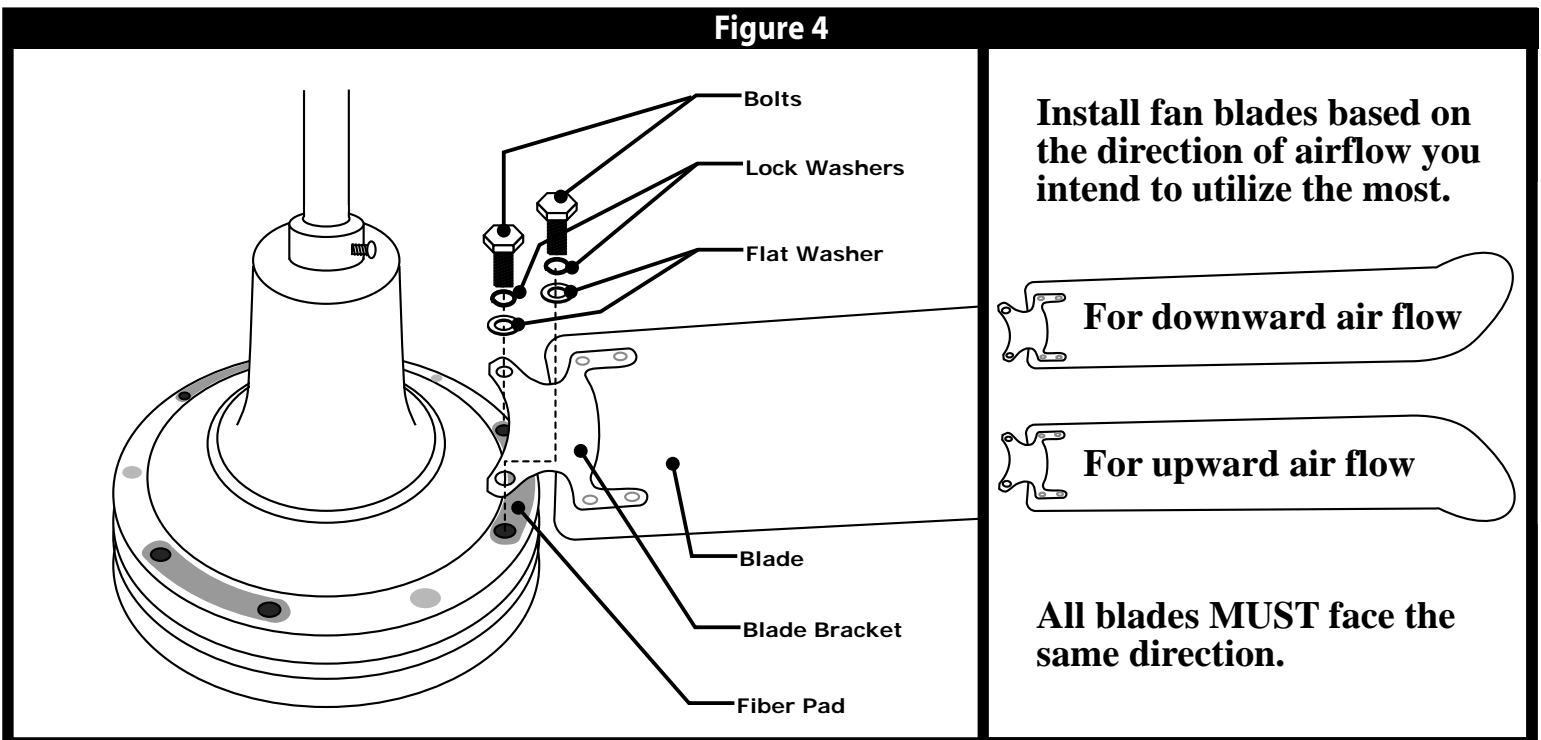
Figure 4

Bolts, flat washers, and fiber pads for attaching blades are located on the motor housing.

Brackets come already installed on blades.

Remove bolts and washers from fan motor.

Leaving fiber pad in place on motor housing, set blade bracket over holes and reinstall the bolts and washers in their original holes as shown in figure 4. Tighten into motor housing. Do not over tighten.



Reversing Fan Direction

Figure 5

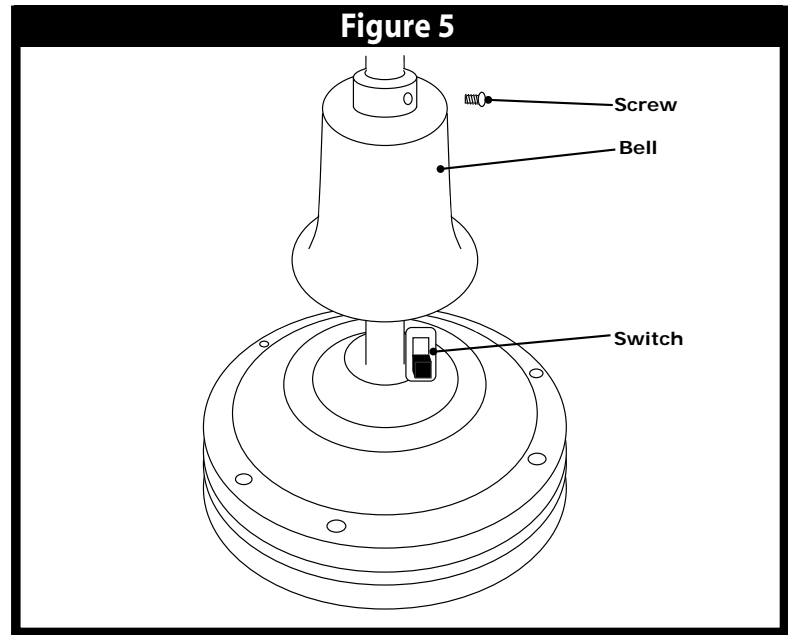
Remove screw from bell.

Slide bell up to reveal switch.

Slide switch to change motor direction.

Slide bell back down.

Align screw hole in bell with hole in down-rod and reinstall screw.



Recommended Variable Speed Fan Controls

Part#	Description	Volts	Amps
CN25	2 Fan Speed Control	120	2.5
CN5	4 Fan Speed Control	120	5
VFT130144	8 Fan Speed Control	120	10
CN15	12 Fan Speed Control	120	15

According to IEC60335-1:2006

This appliance is not intended for use by persons (including children) with reduced physical, sensory or mental capabilities, or lack of experience and knowledge, unless they have been given supervision or instruction concerning use of the appliance by a person responsible for their safety.