



OPERATING INSTRUCTIONS



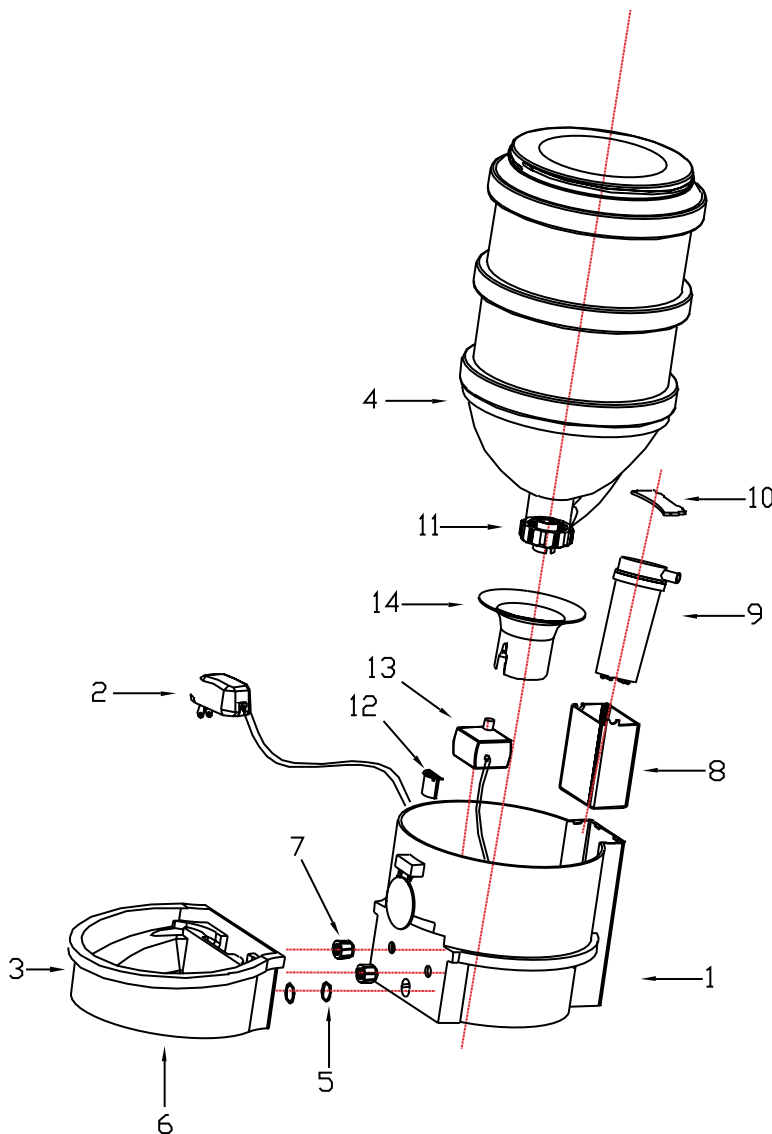
OPERATING INSTRUCTIONS

Congratulations for purchasing the “**AUTOPETOASIS**”. Your pet will now be able to drink fresh, clean and aerated water all the time. Before you can use this appliance you need to follow some simple steps to assemble the Autopetoasis.

CHECK LIST

Please open the package and check to see if the following components are in the package. Also check for any apparent damage to the parts in the package.

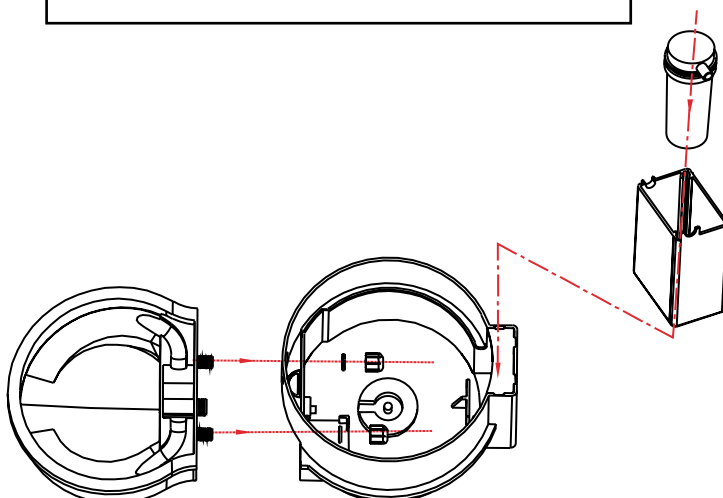
Please call **1-630-390-1286** or email to **contact@ergosys.net** if you need any assistance.



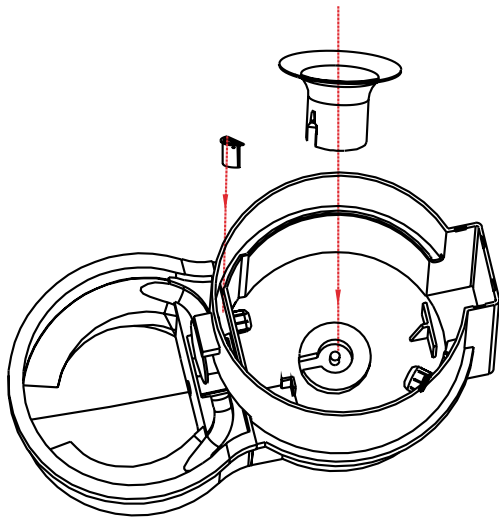
COMPONENTS

1. Pet Oasis body.
2. Transformer for pump.
3. Pet Oasis bowl.
4. Water storage bottle.
5. Oval O-rings pre installed (quantity 2).
6. Spare o-ring/gaskets (located under the bowl).
7. Plastic nuts (quantity 2).
8. Filter body.
9. Filter.
10. Filter cover.
11. Valve.
12. Flow tube.
13. Pump.
14. Bottle stand.

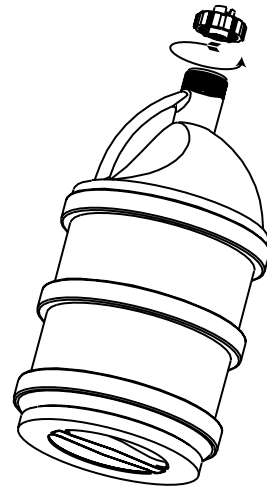
ASSEMBLY



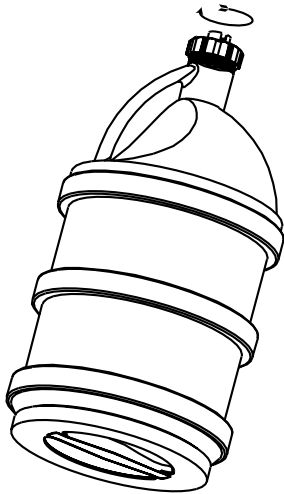
1. Pet Oasis body, filter body, filter and pump will be pre-assembled.
2. Remove the bottle and bottle stand from the body assembly.
3. Insert the bowl through the front of the body. Make sure the oval water inlet tube aligns with the oval hole in the body. Hand tighten the bowl using the two plastic nuts.
4. Pre-wash the new filter in running tap water and install inside the filter container. Make sure that you hand tighten the filter to the cap. Do not use any tools.



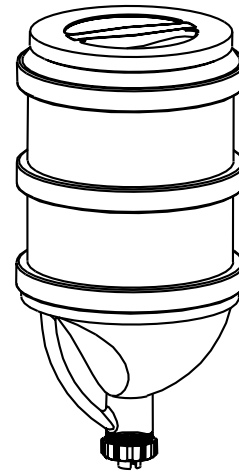
5. Insert the flow tube into the opening in the body and push/snap into place. Insert the bottle stand, position and push into place.



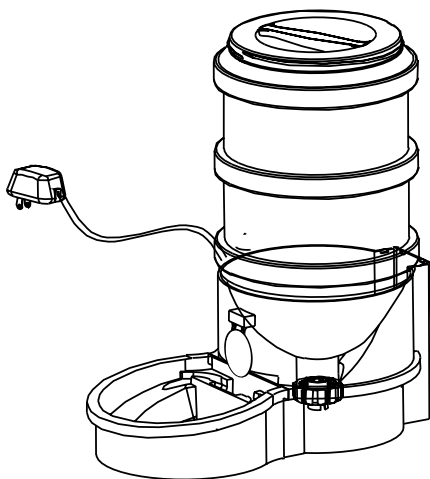
6. Clean bottle prior to use. Unscrew the valve from the bottom of the water bottle and fill the container with water. Using the bottom handle fill the container with potable (drinking) water.



7. Screw the valve back to the bottom of the bottle.



8. Turn the bottle over and hold the bottle with the top handle. Place the bottle in the center of the body.



9. Plug the pump wire to the transformer and plug the transformer to any 110VAC outlet. Replace the filter cover on the body.



10. You have now finished with the assembly of the Autopetoasis. The pump should now pump the water through the filter and the water should be flowing to the bowl. Your pet can now enjoy clean, fresh aerated drinking water from your new Autopetoasis.

FILTER REPLACEMENT

1. Remove the water bottle from the Autopetoasis body.
2. Unscrew the filter from its retaining cap.
(Counterclockwise direction)
3. Rinse new filter in running water and install new filter on to cap. (Clockwise direction)
4. Fill water bottle with water.
5. Place water bottle within the Autopetoasis.

Note: If you do not rinse filter prior to installation, loose carbon particles will be discharged from the filter into the Autopetoasis. These particles are loose due to transportation. When you rinse in running water the filter is cleaned.

LIMITED WARRANTY

We at Ergo Systems Inc. believe that you will be pleased with your new Autopetoasis. Please read this warranty carefully. Ergo Systems Inc will warranty this product to be free from manufacturing defects, including workmanship, when installed and operated according to operating instructions enclosed with this product, for a period of ninety (90) days from the date of original purchase. This warranty is non-transferable and applies solely to the original purchaser and does not extend to subsequent owners of this product.

Service Center: Ergo Systems Inc.
4646 Western Ave.
Lisle, IL 60532
(630) 390-1286
E-mail: contact@ergosys.net

Repair service for a period of ninety (90) days from the date of original purchase at no charge for parts and labor with proof of purchase.

Replacement of defective parts for a period of 12 months from the date of original purchase with proof of purchase. (Labor not included after initial ninety (90) days.)

This warranty does not cover cost incurred in the shipping of the product to and from Ergo Systems Inc. for service. Shipping to Ergo Systems Inc. must be prepaid and insured by UPS or other parcel delivery services.

THIS WARRANTY IS VOID IF THE PRODUCT IS:

Damaged due to negligence, abuse, misuse, accident, modification, tampering, alteration, faulty installation and or acts of God.

Used for commercial applications or rentals.

Modified or repaired by anyone other than Ergo Systems Inc.

THE EXTENT OF ERGO SYSTEMS INC. UNDER THIS LIMITED WARRANTY IS THE REPAIR OR REPLACEMENT OF THE PRODUCT AT THE SOLE DISCRETION OF ERGO SYSTEMS INC. IN NO EVENT SHALL ERGO SYSTEMS INC.'S LIABILITY EXCEED THE PURCHASE PRICE PAID BY THE PURCHASER. UNDER NO CIRCUMSTANCES SHALL ERGO SYSTEMS INC. BE LIABLE FOR ANY LOSS, DIRECT, INDIRECT, INCIDENTAL, FORESEEN, UNFORESEEN, SPECIAL OR CONSEQUENTIAL DAMAGE ARISING OUT OF OR IN CONNECTION WITH THE USE OF THIS PRODUCT. THIS WARRANTY IS VALID ONLY IN THE UNITED STATES OF AMERICA AND CANADA.