



## Instructions for HC-1 (Hitch Mounted Calf Carrier)

Thank you for purchasing the HC-1 Hitch Mounted Calf Carrier.  
Before assembly, please review the parts list to verify that all parts are present.

Qty.	Description
1	Main Arm
1	Receiver
1	Sling
2	1/2 x 3 pin
1	3" Hairpin
1	2" Hairpin

**Required tools:**  
None

### **ASSEMBLY**

Assemble the **MAIN ARM** and **RECEIVER** using the (2) 1/2" pins and hairpins with the larger hairpin in the top pin.

Attach the steel rings of the **SLING** to the **MAIN ARM** quick links.

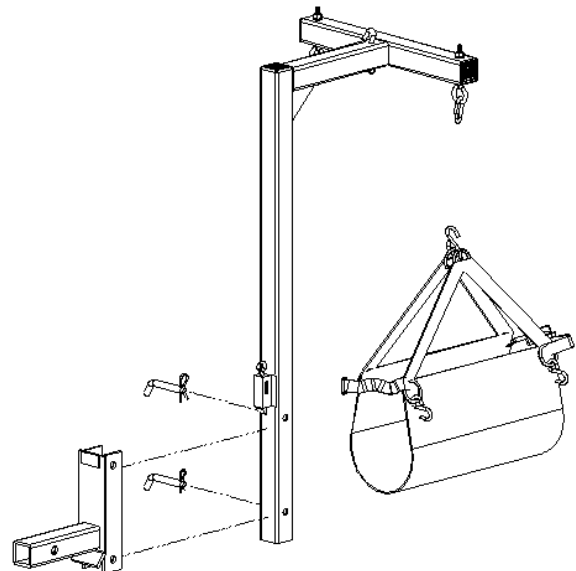
Insert the **RECEIVER** assembly into the hitch receiver on your vehicle and secure in place with a pin or bolt (not provided).

### **USING THE HC-1**

1. Remove the top pin and lower the main arm.
2. Place calf in the sling.
3. Lift the main arm with calf until latch catches.
4. Re-install top pin and secure with hairpin.



Warning: Failure to re-install top pin can result in latch failure.



**Figure 1**