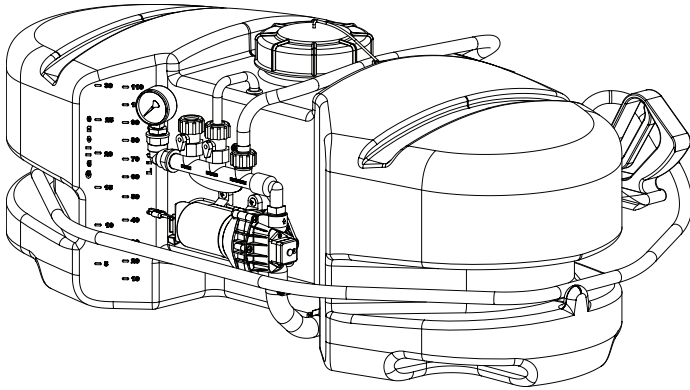


5301562
MODEL NO. LG-30-SM
30 Gallon Spot Sprayer

ASSEMBLY / OPERATION INSTRUCTIONS / PARTS



Your authorized dealer is the best source of replacement parts and service. To obtain prompt, efficient service, always remember to give the following information.

1. Correct part description and part number.
2. Model number of your sprayer.
3. Serial number of your sprayer.

Part number and descriptions can be obtained from the illustrated parts list section of this manual. Whenever you need parts or repair service, contact your distributor / dealer first. For warranty work always take your original sales slip, or other evidence of purchase date, to your distributor / dealer.

TECHNICAL SPECIFICATIONS

- 30 Gallon Polyethylene Tank
- 12 Volt Diaphragm Pump - 2.1 G.P.M.
- 15 Foot Handgun Hose
- Pistol Grip Handgun
- Suction Line Filter

ASSEMBLY

The sprayer is partially assembled at the factory. Follow the instructions below to complete the assembly of this unit.

1. Thread the gauge into Item 17.8. Use a good grade of thread sealant here to insure no leaks.
2. Connect the wiring harness to the wires coming out of the pump. Connect the wiring from the wiring assembly to the 12 Volt power source of the vehicle. The red wire of the 2-wire set must be connected to the positive (+) post on the battery or the "hot" connection on a switch or to the ammeter. The brown wire may be grounded or connected to the negative (-) post on the battery.
3. Remove the drain plug assembly from the parts bag and thread it onto the drain bung located at the lower rear end of the tank.

**BEFORE RETURNING THIS PRODUCT
FOR ANY REASON, PLEASE CALL**

1-800-831-0027

**IF YOU SHOULD HAVE A QUESTION OR
EXPERIENCE A PROBLEM WITH YOUR
FIMCO INDUSTRIES PRODUCT:**

1-800-831-0027

**BEFORE YOU CALL, PLEASE HAVE THE
FOLLOWING INFORMATION AVAILABLE:
SALES RECEIPT & MODEL NUMBER. IN MOST
CASES, A FIMCO INDUSTRIES EMPLOYEE CAN
RESOLVE THE PROBLEM OVER THE PHONE.**

GENERAL INFORMATION

The purpose of this manual is to assist you in operating your sprayer. Please read it carefully as it furnishes information which will help you operate and maintain your sprayer.



WARNING



**DO NOT USE PUMP IN AN EXPLOSIVE
ENVIRONMENT. DO NOT USE TO PUMP
FLAMMABLE FLUIDS, GASOLINE,
KEROSENE FUEL, OIL, ETC.**

WARRANTY / PARTS / SERVICE

Products are warranted for one year from date of purchase against manufacturer or workmanship defects.



WWW.FIMCOINDUSTRIES.COM

1000 FIMCO LANE • P.O. BOX 1700 • NO. SIOUX CITY, SD 57049
TOLL FREE: 800-831-0027 • TOLL FREE FAX: 800-494-0440
Form No. 1308 (5004771 3/08) Printed In U.S.A.

4. Remove the handgun clips/screws from the parts bag, if applicable, and attach them to the side of the tank, for handgun storage.

OPERATION

The pump on the sprayer is factory set to shut off automatically at a maximum of 60 PSI. The handgun may be shut off at any time when the pump is running. The pump will shut off when there is no discharge from the handgun.

The pumping system draws solution from the tank and to the pump. The pump forces the solution under pressure to the handgun.

It is important to test the sprayer with plain water before attempting actual spraying. This will enable you to check the sprayer for leaks in the plumbing system.

1. Open tank lid and be sure the tank is clean and free of foreign material. Fill the tank about half full with plain water.

WARNING: Some chemicals will damage the pump valves if allowed to soak untreated for a length of time. Always flush the pump after use. Do not allow chemicals to sit in pump for extended times of idleness. Follow chemical manufacturers instructions on disposal of all waste water from the sprayer.

AFTER SPRAYING

After use, fill the sprayer part way with water, start the sprayer and allow clear water to be pumped through the plumbing system and out through the handgun. Use the handgun to thoroughly wash all internal parts of tank and tank cover.

Refill the tank about half full with plain water and use a chemical neutralizer such as NUTRA-SOL or equivalent and repeat cleaning instructions above. Flush the entire sprayer with the neutralizing agent. Follow the chemical manufacturers disposal instructions of all wash and rinsing water.

WINTER STORAGE

Drain all water out of the sprayer paying special attention to pump, valves, and spray gun. These items are especially prone to damage from chemicals and freezing weather.

The sprayer should be winterized before storage by pumping a solution of RV anti-freeze through the entire plumbing. Proper care and maintenance will prolong the life of the sprayer.

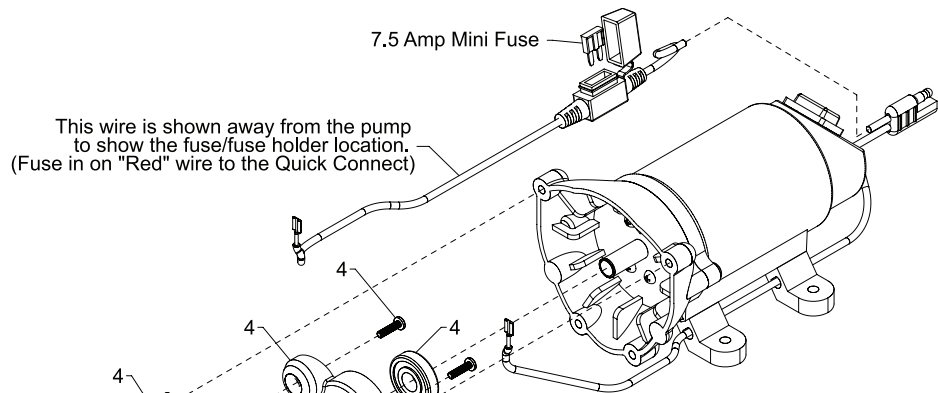
CAUTION

PRESSURE SWITCH OPERATION

Pressure switch is pre-set at the factory. Improper adjustment of the pressure switch, may cause severe overload or premature failure. If the pump is subjected to rapid cycling during normal operation, or infrequent periods, damage may occur.

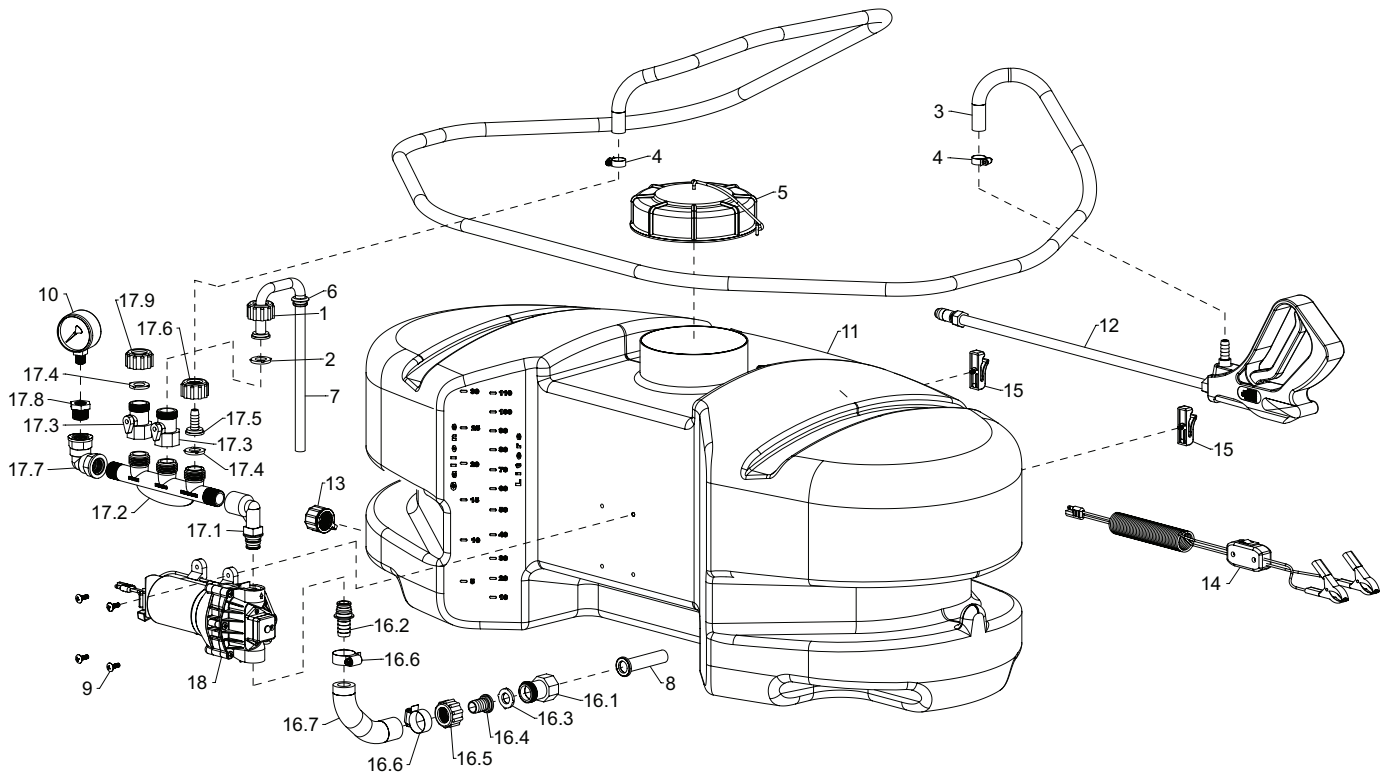
5275703

Exploded View/Parts List
(Gold Series 2.1 g.p.m. Pump)



Item No	Part Number	Qty	Description	List Price
1	20408-000	1	Pkg. (2) Clips (Port Fitting)	3.41
2	5157202	1	Pressure Switch Assembly	23.95
3	5168820	1	Check Valve Kit w/O-Ring & Ferrules	19.95
4	5168823	1	Diaphragm/Cam/Bearing Kit	18.99
5	5168837	1	Upper Housing Assembly	39.95

Exploded View/Parts List:
LG-30-SM (5301562)



ITEM NO.	PART NUMBER	QTY.	DESCRIPTION	LIST PRICE
1	5006209	1	Poly Knurled Swivel Nut, 3/4" FGHT	.38
2	5016066	1	Garden Hose Washer	.25
3	5020215	1	Hose, 3/8"-1 Brd. x 15 Ft.	8.50
4	5051114	2	Hose Clamp, 3/8"	.63
5	5058188	1	Tank Lid w/Lanyard	10.50
6	5075018	1	Grommet	1.00
7	5100358	1	Poly Bypass "J" Hose (Triplex 30 Gal. ONLY)	1.95
8	5116416	1	PVC Filter Screen, 1" O.D. x 2.81" Long (30 Mesh)	4.00
9	5117167	4	#10-24 x 5/8" Phillips Truss Head Machine Screw	.25
10	5167007	1	Gauge, 0-100 p.s.i.	5.99
11	5169244	1	30 Gallon (New Style) Tank	65.00
12	5273959	1	Handgun w/X-26 Tip	24.95
13	5274373	1	Drain Plug Cap, Tether, and Washer Assembly	2.95
14	5274443	1	Lead Wire Assembly (w/Switch), 96"	9.99
15	5274880	1	Pkg. (2) Handgun Clips & (2) Screws	2.85
16	5275515	1	Intake Sub-Assembly	6.50
16.1	5143188	1	#35 Nylon Shut-Off Valve	2.53
16.2	5168835	1	Port Kit Fitting, 5/8" Hose Barb	2.24
16.3	5116242	1	Strainer, 1" Filter Washer	.31
16.4	5149036	1	Poly Swivel, 5/8" Hose Barb	.58
16.5	5006209	1	Poly Knurled Swivel Nut, 3/4" FGHT	.38
16.6	5051023	2	Hose Clamp, 5/8"	.67
16.7	5020080	1	Hose, 5/8"-1 Brd. x 6"	5.12
17	5275517	1	Manifold Assembly	18.00
17.1	5010430	1	Port Kit Elbow, 1/2" FNPT	2.49
17.2	5143404	1	Manifold	8.99
17.3	5143188	2	#35 Nylon Shut-Off Valve	2.53
17.4	5016066	2	Garden Hose Washer	.25
17.5	5149034	1	Poly Swivel, 3/8" Hose Barb	.48
17.6	5006209	1	Poly Knurled Swivel Nut, 3/4" FGHT	.38
17.7	5010236	1	Poly Elbow, 1/2" FNPT x 1/2" FNPT	1.87
17.8	5041073	1	Poly Reducing Bushing, 1/2" MNPT x 1/4" FNPT	1.26
17.9	5046375	1	Poly Knurled Threaded Cap, (3/4" FGHT)	.56
18	5275703	1	Gold Series 2.1 g.p.m. Pump	112.00