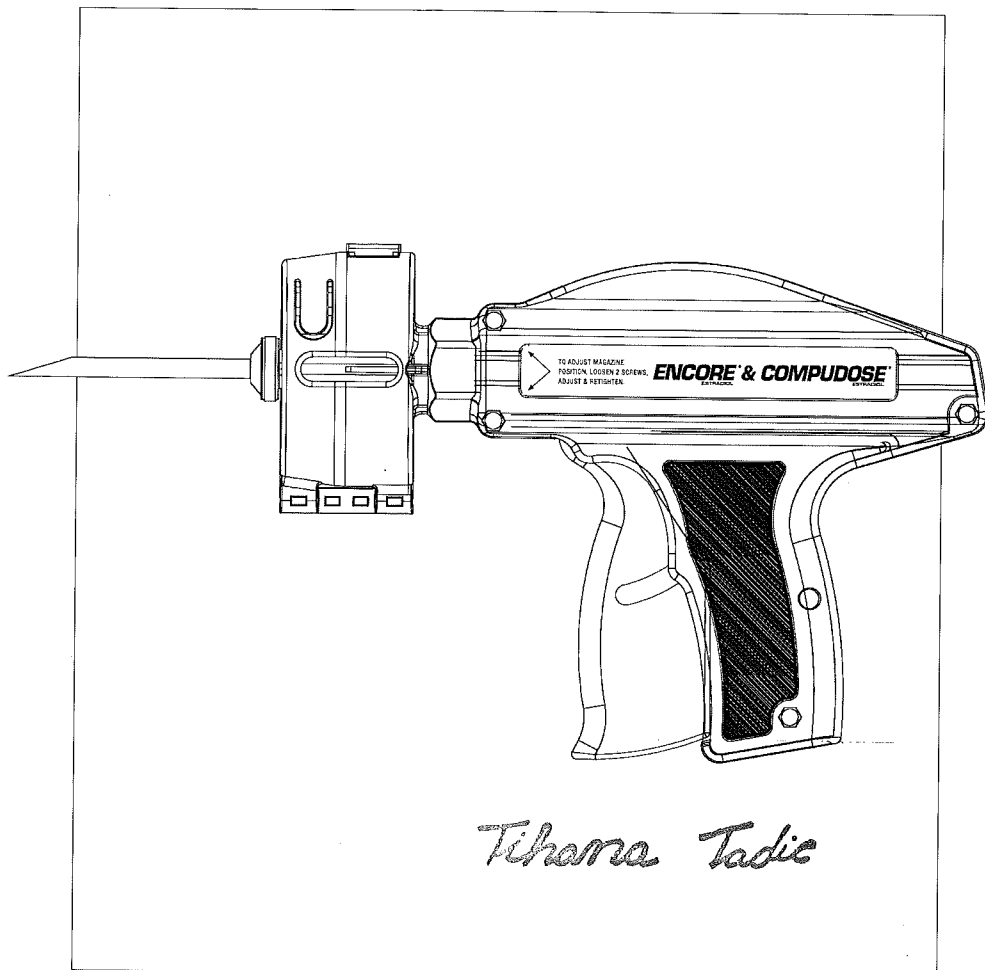


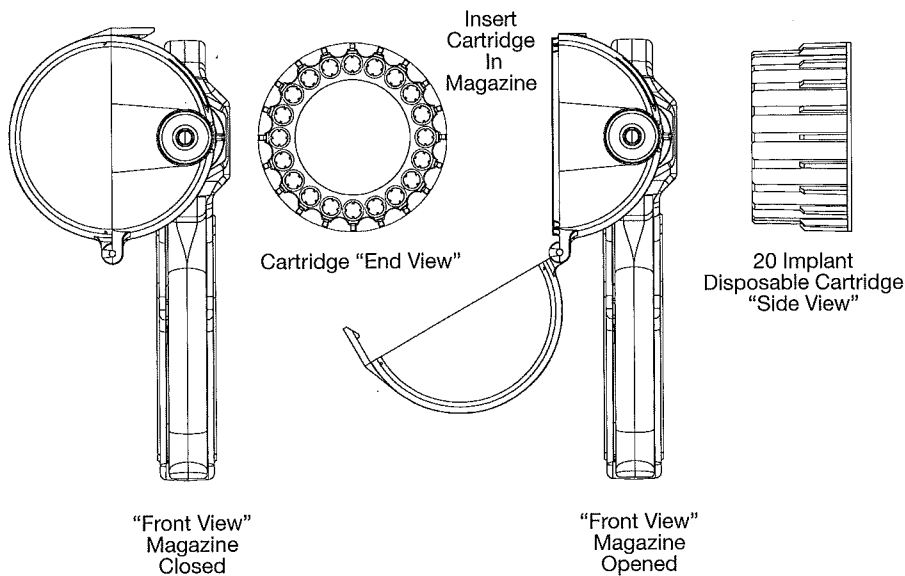
ENCORE[®]
ESTRADIOL

COMPUDOSE[®]
ESTRADIOL

**Implanter with
20 Implant Disposable Cartridge**



Instructions



1. Insertion of Cartridge

- Push the top latch so that the moving half of magazine opens.
- Place cartridge in fixed half of magazine.
- Close moving half of magazine.
- To ensure cartridge is correctly aligned, manually rotate the cartridge one time in the direction of your choice. To continue to implant, manually rotate the cartridge one notch to align the next implant.

2. Removal of Cartridge

- Push the top latch, open moving half and remove cartridge.

3. Position of Magazine

- Loosen the two front handle cover screws.

Note: Always loosen screws before changing the position of the magazine.

- Rotate magazine to suit operator e. g. right or left hand use.
- Retighten handle cover screws.

4. Care and Maintenance

It is advisable to remove cartridge after use so damage does not occur to indexing spring in the magazine.

5. Needle

Make sure needle is clean and sharp before use. A spare needle is enclosed.

6. Brush

Use enclosed brush to clean the inside of the needle periodically. Make sure no implant cartridge is in the magazine when using the brush for cleaning.

CompuDose is packaged in a light purple cartridge. Encore is packaged in a clear cartridge.



The Performance Professionals®

1001 Office Park Road, Suite 201
West Des Moines, IA 50265
Call 888.462.3493 or visit
www.vetlife.com