

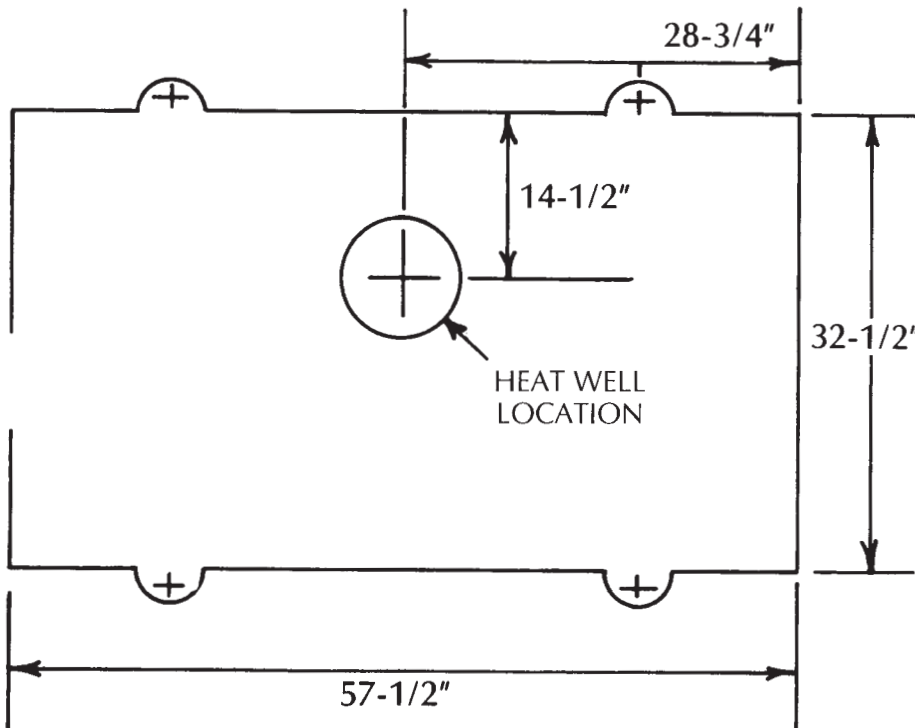


**Model  
#3354-S**  
Beef - Dairy  
Waterer

**#3354-S Specifications**

4 - 9 1/2" openings / Ball closures / Convertible

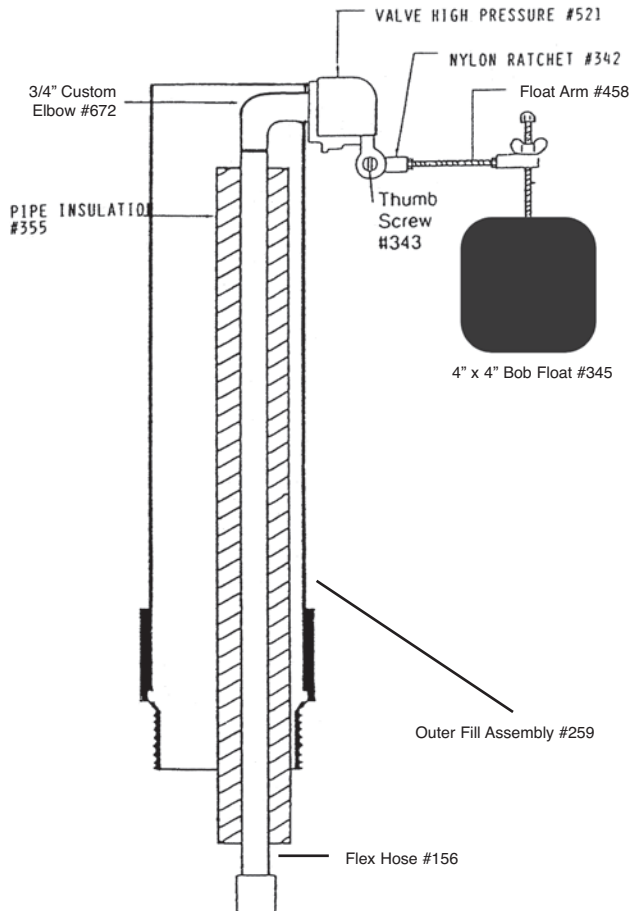
Capacity	Gallons	Dimensions	Weight
250 Hd. Beef 90 Hd. Dairy	70 (265 Liters)	32 1/2" x 57 1/2" x 19" tall (82 x 146 x 48 cm)	152# (69 Kg)



We recommend all anchor bolts be drilled in after the tank is set because dimensions may vary.

## PARTS PRICE LIST FOR #3354-S

Founts manufactured before May 2016 use Part #673 - 3/4" Special "T" (\$11.55) in place of Part #672



Part #	Description
<b>865</b>	<b>Top assembly complete</b>
650	Center insert complete
775	Center insert w/o dome
652	End insert
875	Center dome
876	Center dome gasket
306	5/16" x 2" S.S. bolt
861	Top gasket 162"
<b>643</b>	<b>10 3/4" drinker ball</b>
<b>556</b>	<b>Base assembly complete</b>
347	5/16" x 3/4" S.S. washer
409	4" male adapter
259	Outer fill pipe
706	5/16" x 2 1/2" S.S. lag bolt
<b>653</b>	<b>#3354-S parts bag</b>
322	2" rubber drain plug
344	3/8" x 3 3/4" S.S. anchor bolt
351	3/8" S.S. washer
352	5/16" x 1" S.S. bolt
353	Anchor clip
357	S.S. cotter key
699	3/8" S.S. nut
523	Training device
555	Bottom gasket 169"
667	Anti syphon device
<b>440</b>	<b>Valve assembly</b>
521	Valve high pressure
672	3/4" custom elbow
<b>458</b>	<b>Float assembly</b>
342	Nylon ratchet
343	Brass thumb screw
345	4" x 4" bob float
457	Float arm
<b>156</b>	<b>2' Flex Hose</b>
355	Pipe insulation
400	Hose Clame
396	3/4" Male x barb fitting