

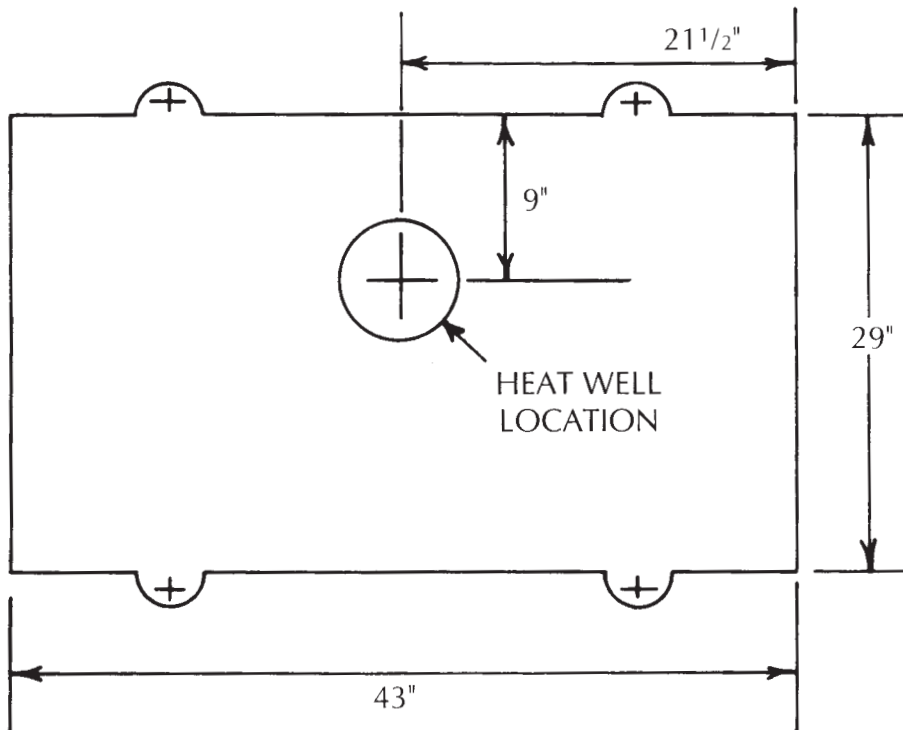


**Model  
#3390  
Beef - Dairy  
Waterer**

**#3390 Specifications**

2 - 10" openings / Ball closures

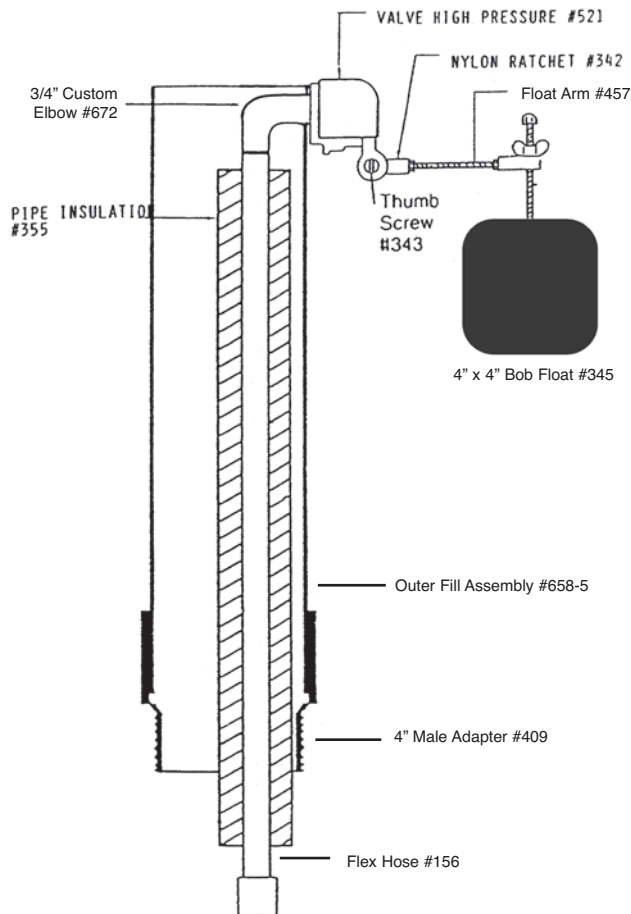
Capacity	Gallons	Dimensions	Weight
150 Hd. Beef 60 Hd. Dairy	44 (166.5 Liters)	43" x 29" x 20" tall (109 x 73.6 x 51cm)	126# (57 kg)



We recommend all anchor bolts be drilled in after the tank is set because dimensions may vary.

## PARTS PRICE LIST FOR #3390

Founts manufactured before May 2016 use Part #673 - 3/4" Special "T" (\$11.55) in place of Part #672



Part #	Description
<b>882</b>	<b>Top assembly complete</b>
686	Center insert complete
779	Center insert w/o dome
688	End insert
875	Center dome
876	Center dome gasket 55"
862	Top gasket assembly 141"
306	5/16" x 2" S.S. bolt
878	5/16" S.S. washer
<b>643</b>	<b>10 3/4" drinker ball</b>
<b>684</b>	<b>Base assembly complete</b>
347	5/16" x 3/4" S.S. washer
409	4" male adapter
706	5/16" x 2 1/2" S.S. lag bolt
658-5	Outer fill pipe
<b>694</b>	<b>#3390 parts bag</b>
761	5/16" x 4" bolt
322	2" rubber drain plug
344	3/8" x 3 3/4" S.S. anchor bolt
351	3/8" S.S. washer
352	5/16" x 1" S.S. bolt
353	Anchor clip
699	3/8" S.S. nut
667	Anti syphon device
480	Bottom gasket 137"
<b>440</b>	<b>Valve assembly</b>
521	Valve high pressure
672	3/4" custom elbow
<b>458</b>	<b>Float assembly</b>
342	Nylon ratchet
343	Brass thumb screw
345	4" x 4" bob float
457	Float arm
<b>156</b>	<b>2' Flex Hose</b>
355	Pipe insulation
400	Hose Clamp
396	3/4" Male x barb fitting