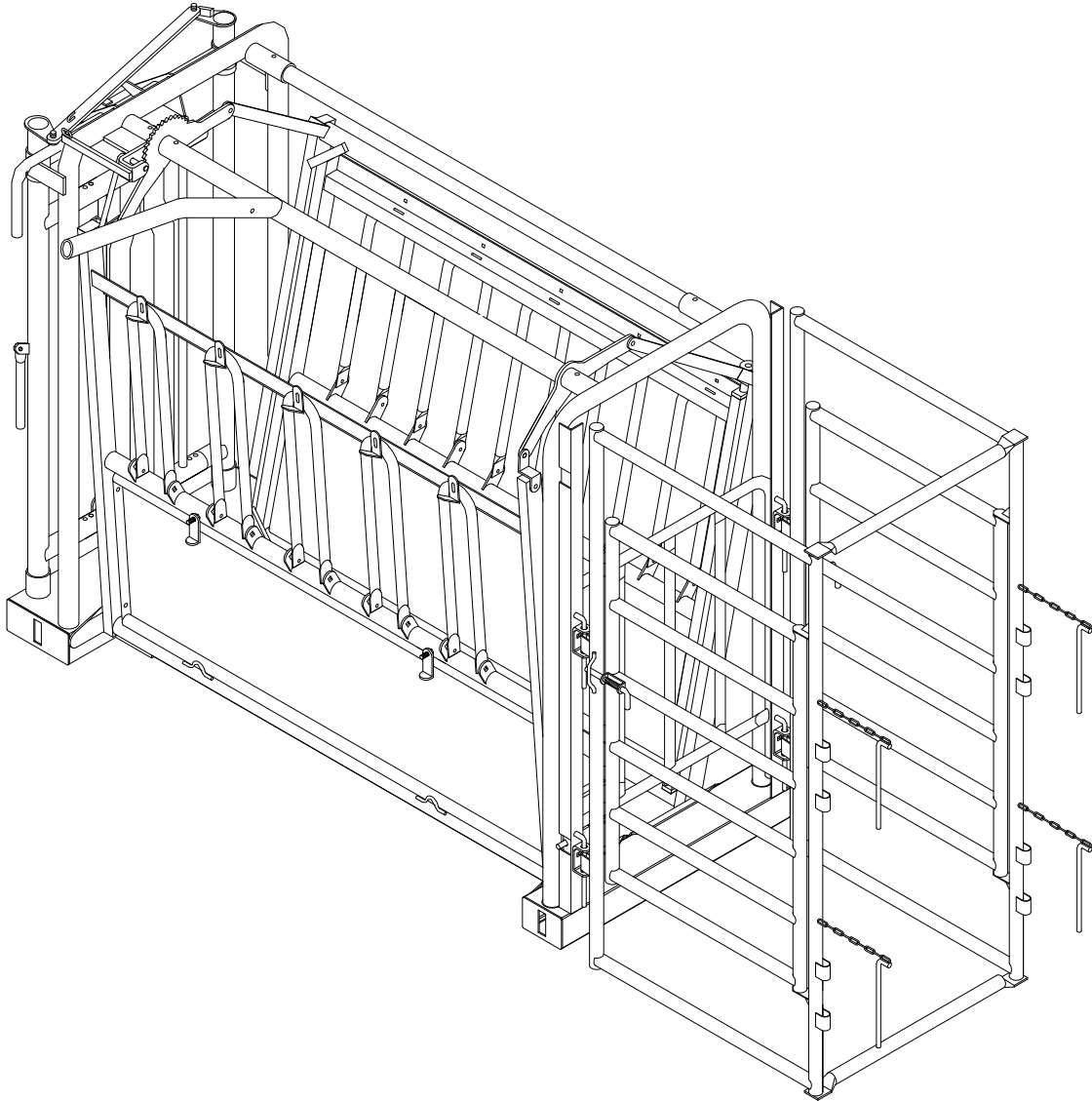


VALUE PREGNANCY TESTING GATE

ASSEMBLY INSTRUCTIONS

#004-00020



POWDER RIVER

• LIVESTOCK HANDLING EQUIPMENT •

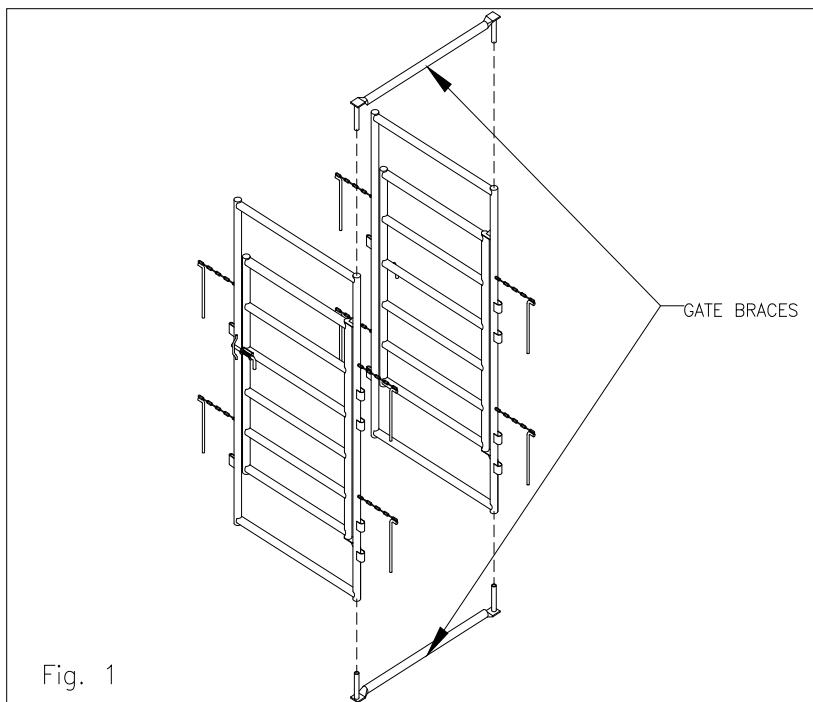
www.powderriver.com

1-800-453-5318

NOTE: The Value Pregnancy Gates are designed to attach to the Value Chute I and Value Chute II. Adapters may be necessary for attaching to any other style of chute.

STEP 1:

Position the Gates so that the latches face outside the gate. Slide the Gate Braces into the end tubes on the gate hinge side, as shown in figure 1.



STEP 2:

Slide the assembled Gate up to the Chute and secure them together by placing the four pins through the panel clips on the gates and the clevises on the chute, as shown in figure 2.

