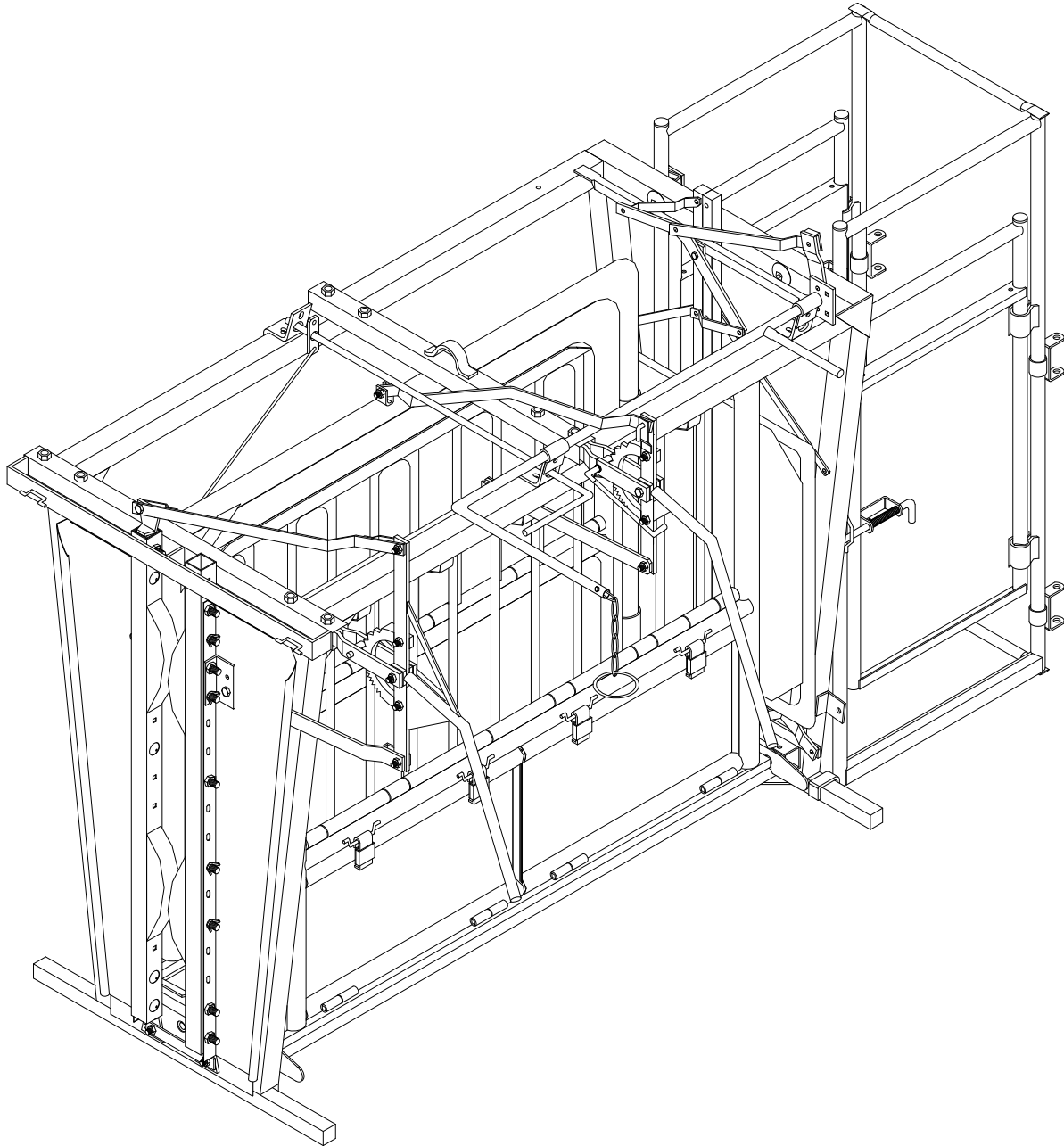


PREGNANCY TESTING GATE

ASSEMBLY INSTRUCTIONS

#004-00040



POWDER RIVER

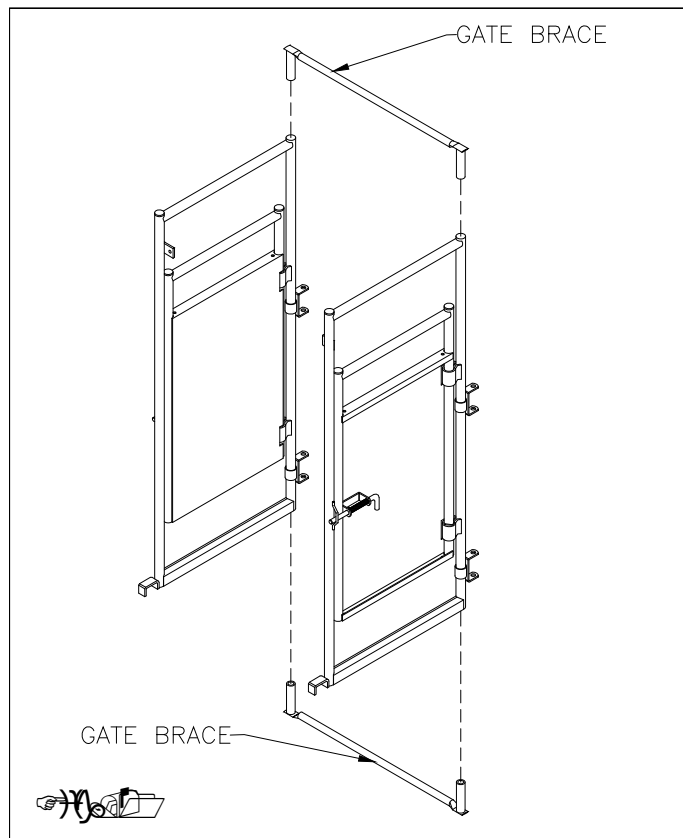
• LIVESTOCK HANDLING EQUIPMENT •

www.powderriver.com

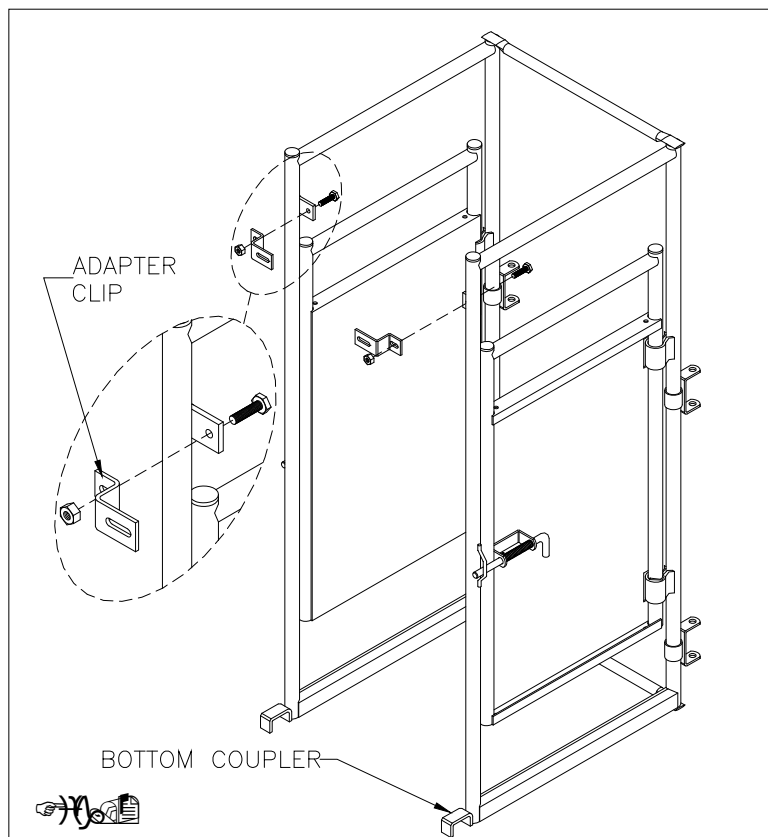
1-800-453-5318

STEP 1:

Position the Gates so that the latches face to the outside. Slide the Gate Braces into the end tubes on the gate hinge side, as shown in figure 1.

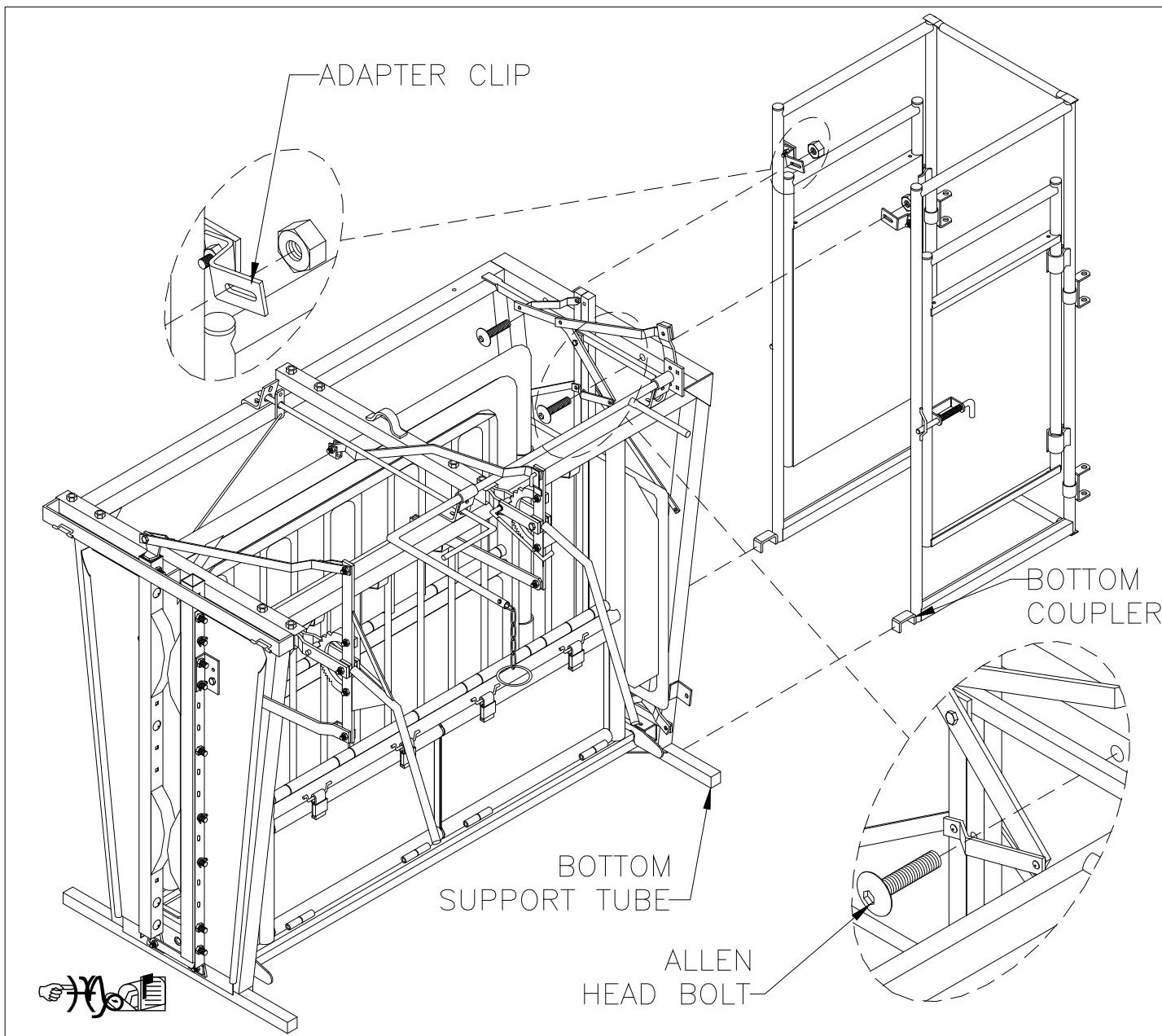
**STEP 2:**

Bolt the Adapter Clips to the gate frames as shown in figure 2.



STEP 3:

Slide the assembled Gates up to the Chute and hook the Bottom Couplers over the Bottom Support Tube on the Chute. Bolt the Adapter Clips onto the Chute as shown in figure 3.



POWDER RIVER
• LIVESTOCK HANDLING EQUIPMENT •