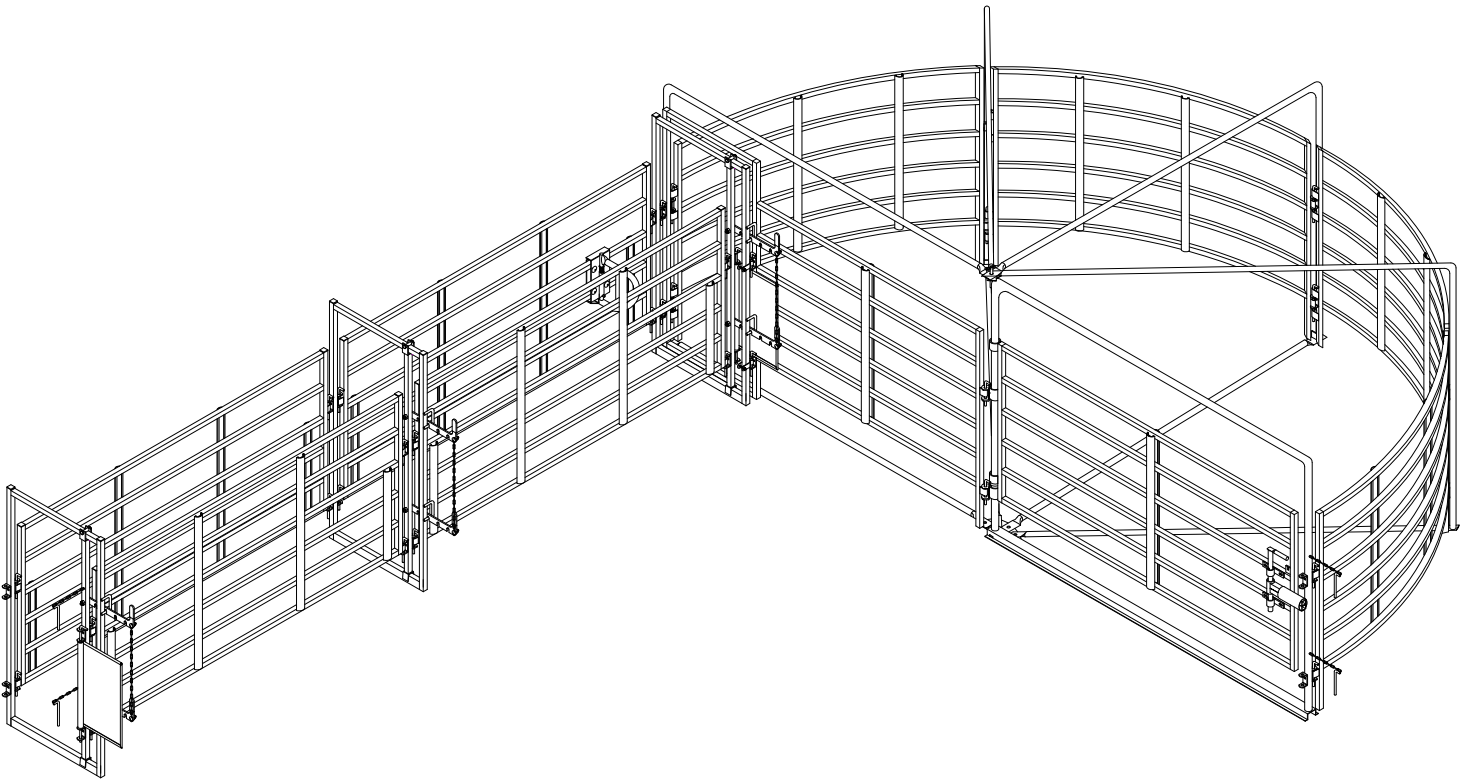


HOMESTEADER DELUXE PACKAGE

ASSEMBLY INSTRUCTIONS

#011-00003



POWDER RIVER

• LIVESTOCK HANDLING EQUIPMENT •

www.powderriver.com

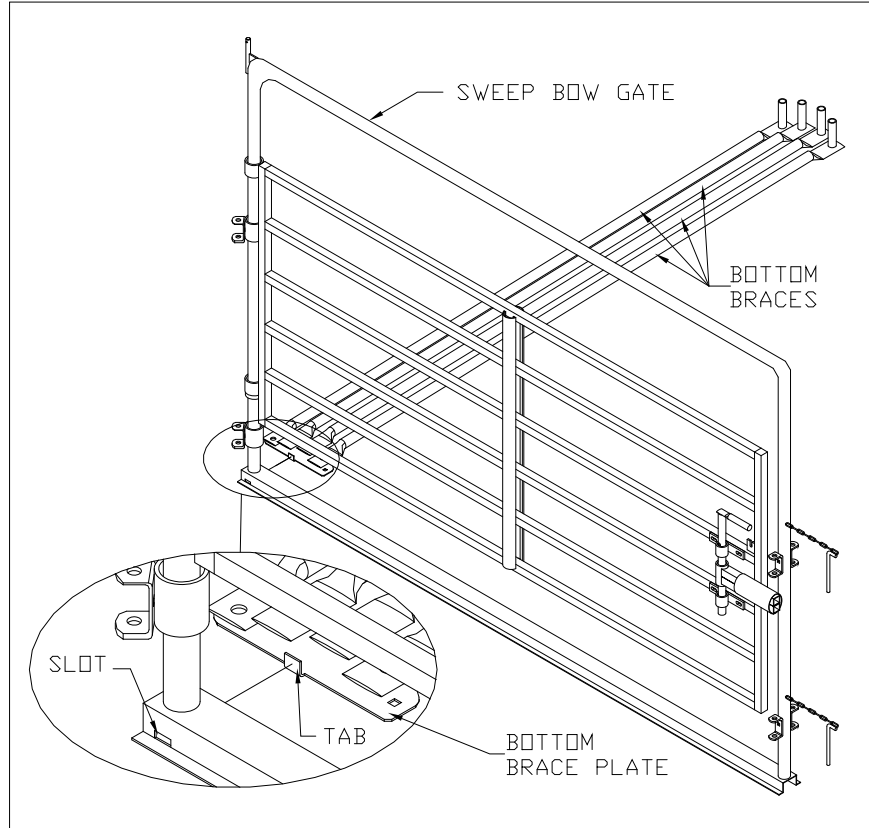
1-800-453-5318

SWEEP TUB ASSEMBLY**STEP 1:**

Place the hinge side of the Sweep Bow Gate where the center of the sweep will be located. Then take the four Bottom Braces and raise the end opposite of the bottom brace plate in the air, until the tab on the Brace Plate can be slid into the slot which is located on either side of the bow gate, as shown in figure 1.

**CAUTION!**

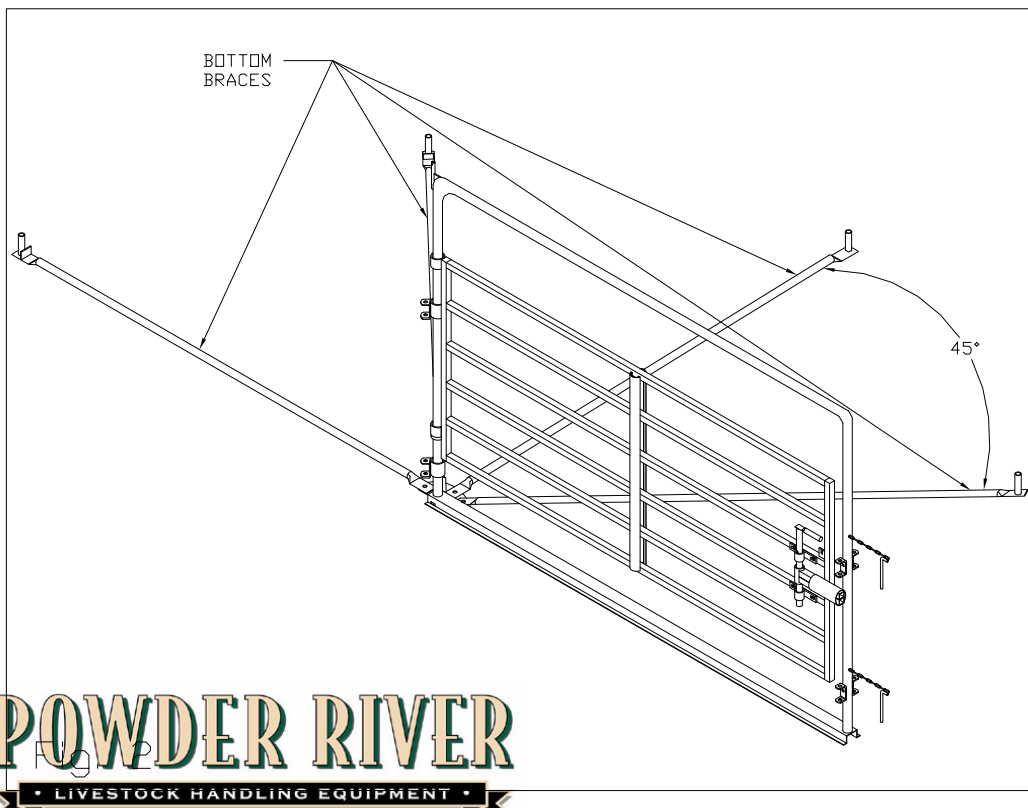
GATES AND PANELS ARE HEAVY AND WILL FALL OVER IF NOT PROPERLY SUPPORTED WHILE BEING INSTALLED!



NOTE: The slots on the Bow Gate are for assembling the sweep tub on either side of the gate. When assembling the tub on the opposite side of the Bow Gate as shown, you will need to move the Gate Latch to the other side of the gate. You will also need to move the far left Bottom Brace to the open hole on the right side of the Brace Plate.

STEP 2:

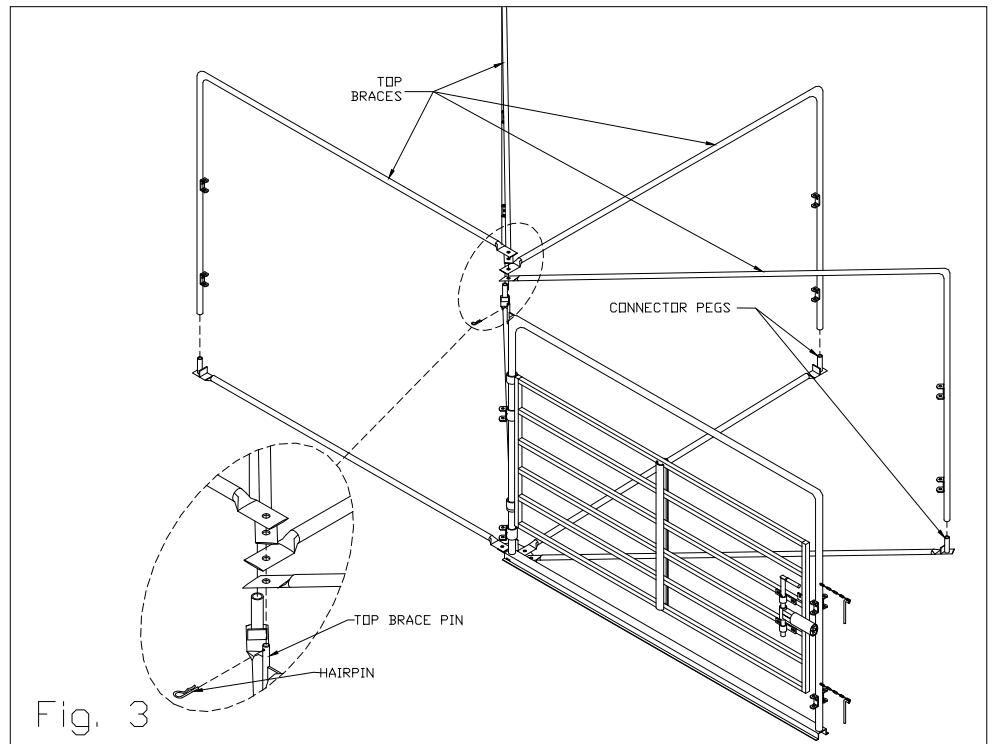
Position the ends of the Bottom Braces about 45° apart as shown in figure 2.



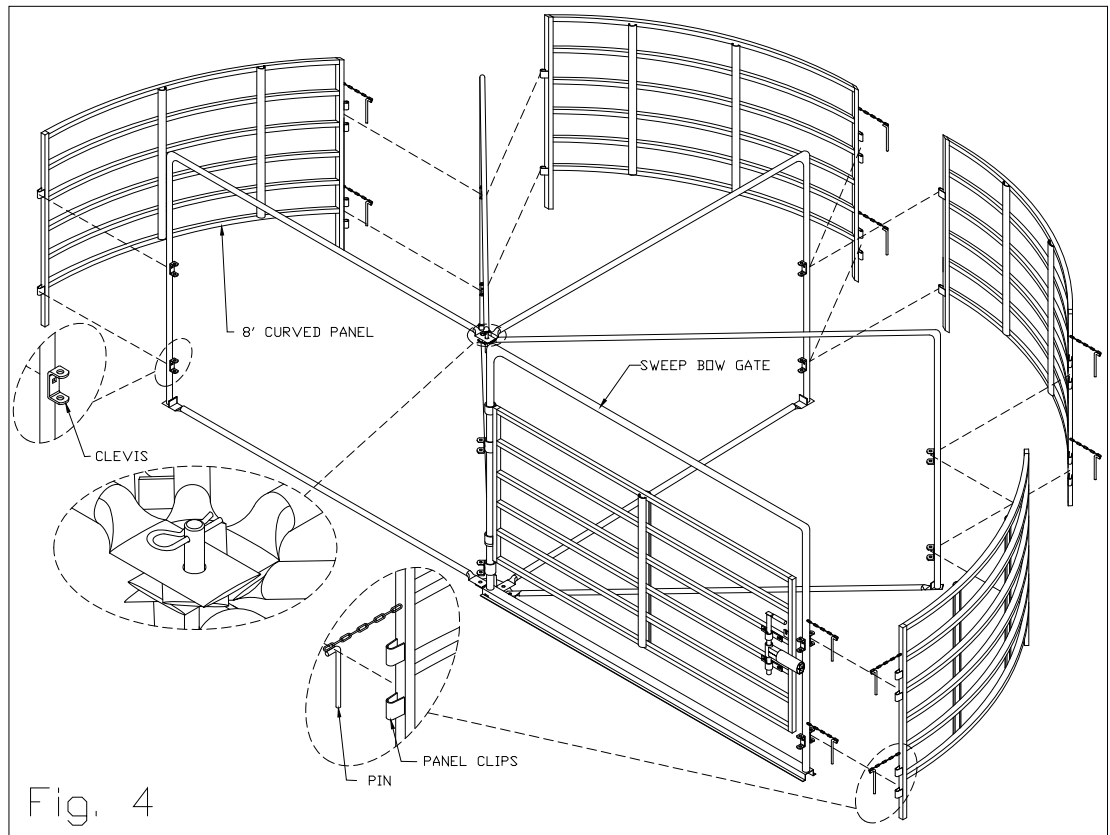
POWDER RIVER
LIVESTOCK HANDLING EQUIPMENT

STEP 3:

Place the Top Braces one at a time onto the Connector Pegs and through the Top Brace Pin. Secure the Top Braces by inserting the Hairpin through the Top Brace Pin, as shown in figure 3.

**STEP 4:**

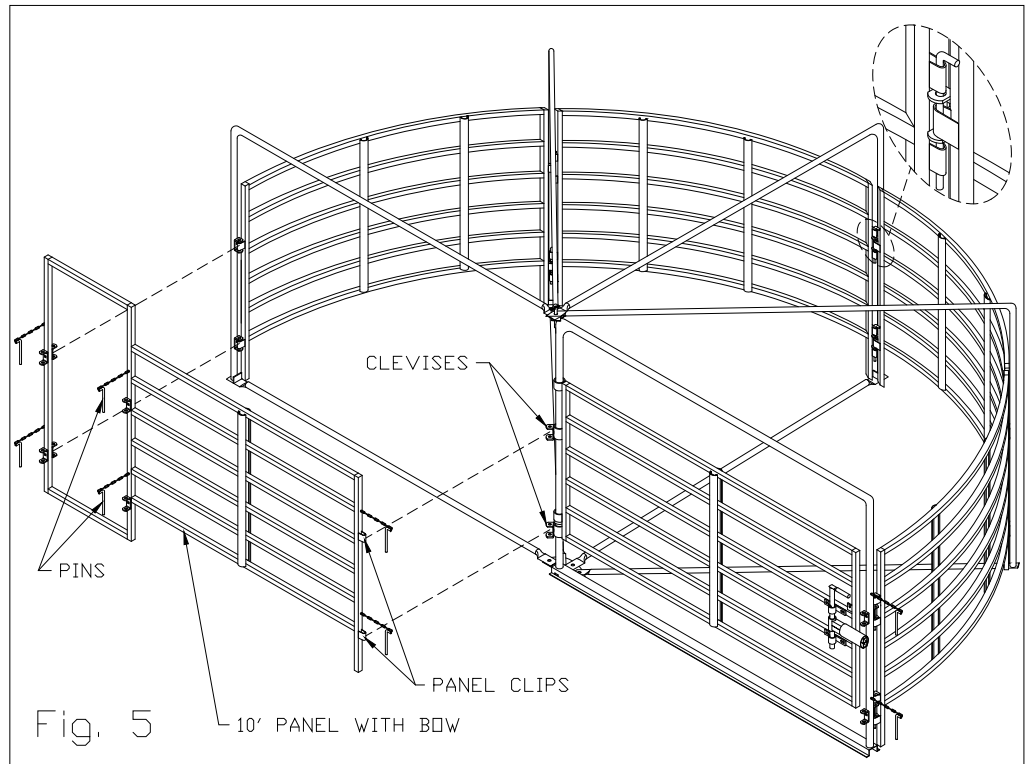
Beginning with the Curved Panel closest to the Bow Gate. Slide each panel into place one at a time. Secure each Curved Panel and Top Brace together by placing a pin through the panel clips and clevises, as shown in figure 4.



(Refer to figure 5 for a picture of the panels secured together.)

STEP 5:

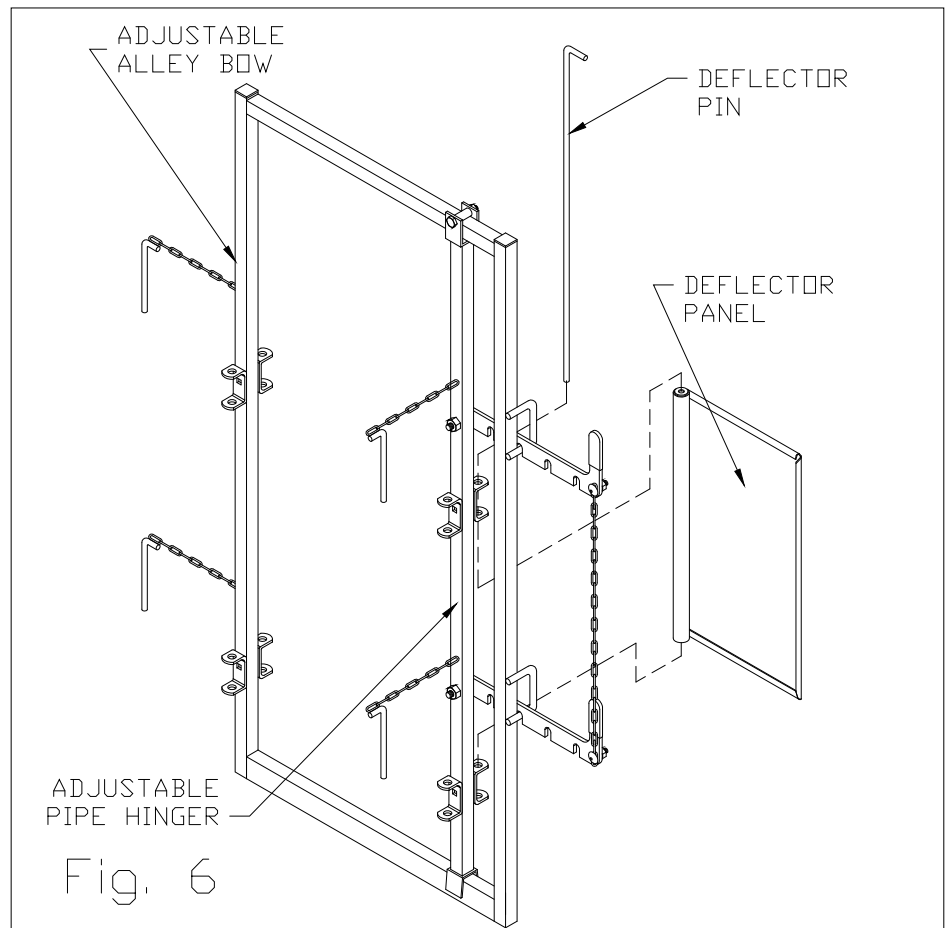
Slide the 10' Panel With Bow into place. Secure it to the Bow Gate by placing the pins through the panel clips and clevises. Then secure it to the Curved Panel and Top Brace as shown in figure 5.



20' Homesteader Deluxe Alley Assembly

STEP 6:

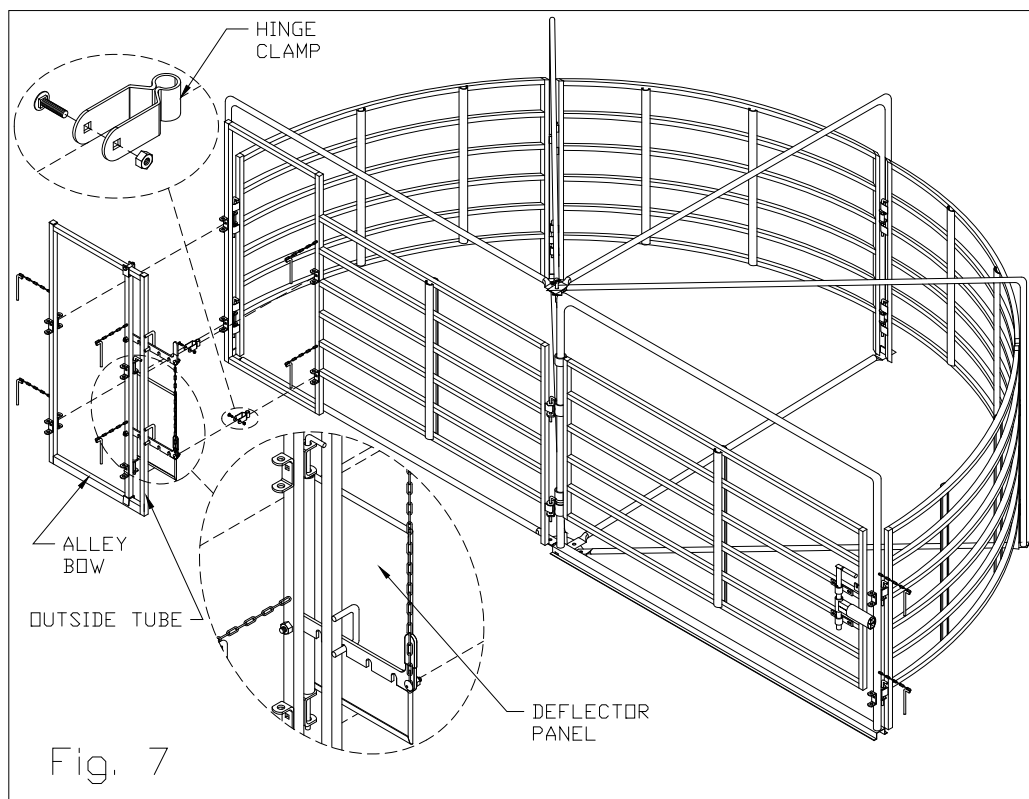
Using figures 6 and 7 as a reference, attach the Deflector Panel to the Adjustable Pipe Hanger on the Adjustable Alley Bow as shown.



STEP 7:

Bolt two Hinge Clamps to the outside tube on the Adjustable Alley Bow as shown. Bolt one Hinge Clamp above the Deflector Panel and one below the Deflector Panel.

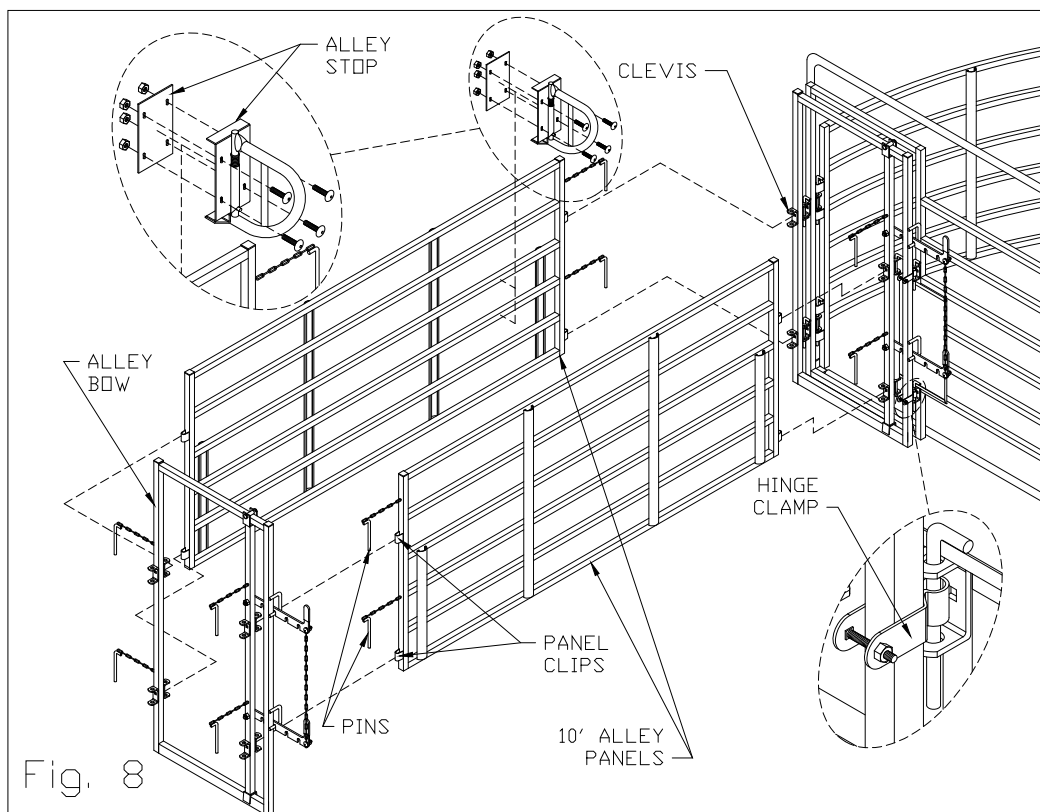
Connect the Adjustable Alley Bow to the 10' Panel with Bow as shown in figure 7.



(Refer to figure 8 for a picture of the Hinge Clamp bolted to the Adjustable Alley Bow and attached to the 10' Panel with Bow.)

STEP 8:

Attach one of the 10' Alley Panels to the Adjustable Alley Bow that is secured to the Sweep tub, by pinning the clips on the Alley Panel to the Clevises on the Adjustable Alley Bow. Secure the far end of the panel to the other Adjustable Alley bow as shown in figure 8. Secure the second panel to both Adjustable Alley Bows in the same manner as the first.

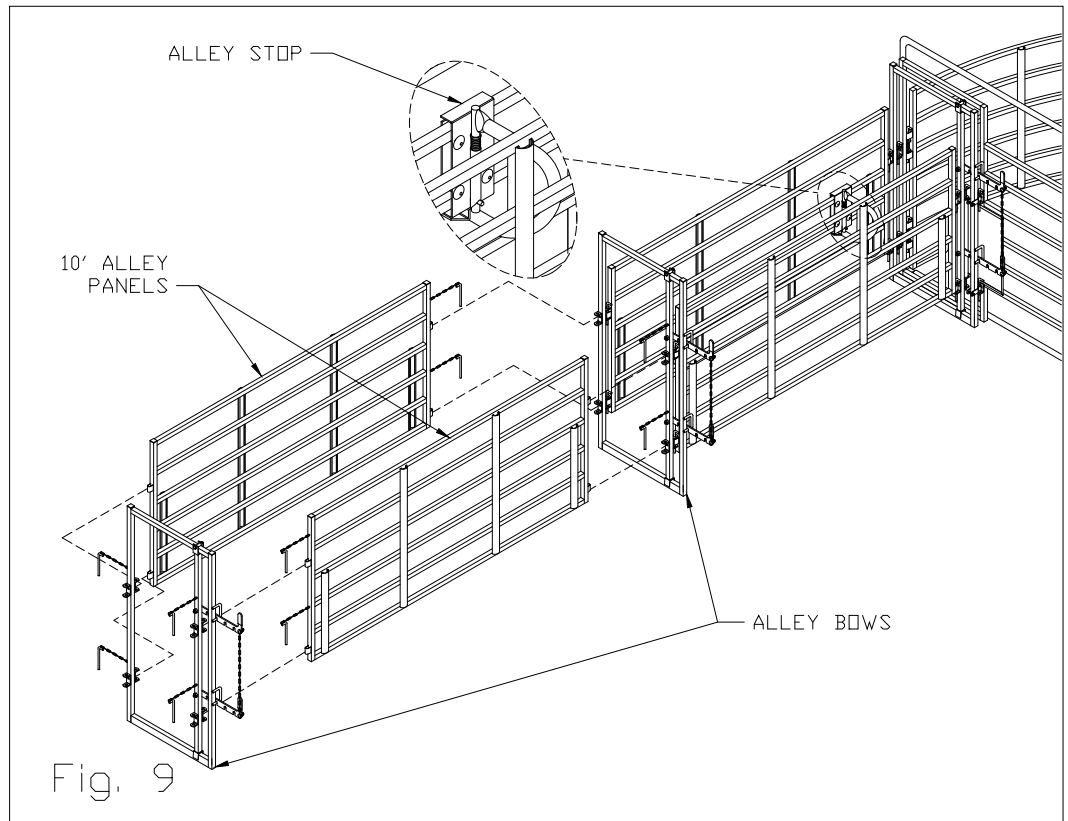


Bolt the Alley Stop to the middle two rails of the Alley panel as shown in figure 8.

(Refer to figure 9 for a picture of the Alley Stop bolted on to the Alley Panel.)

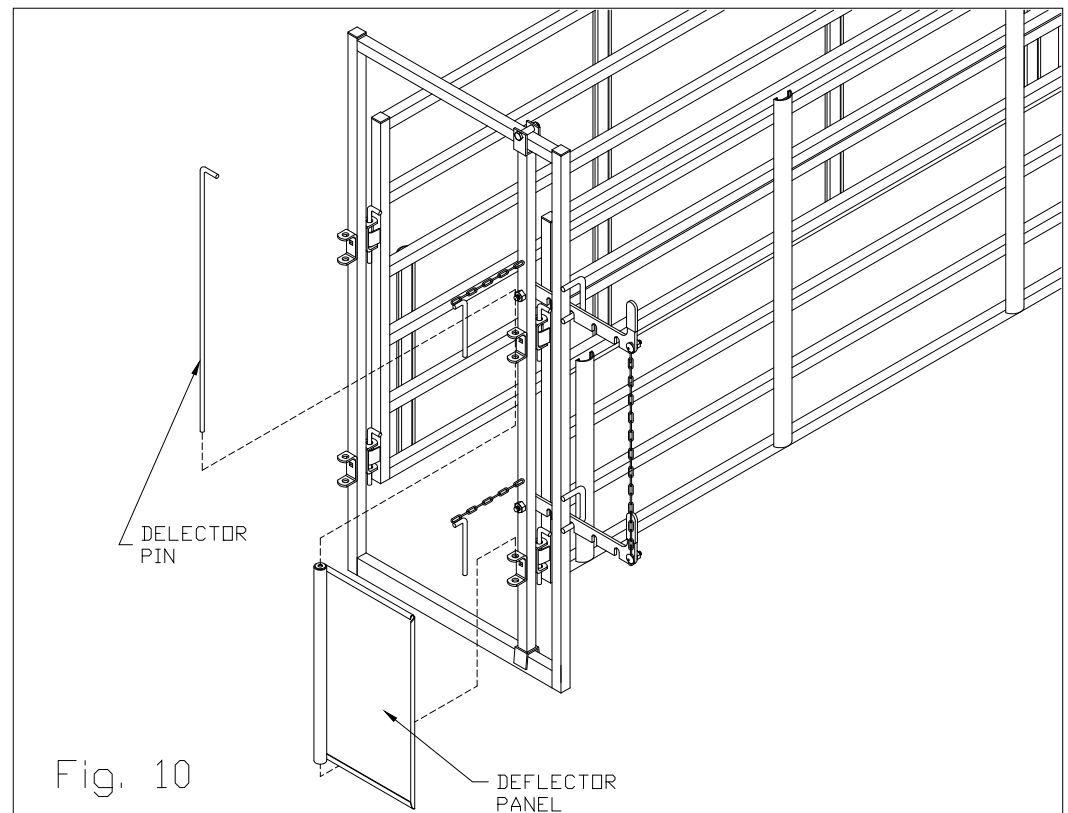
STEP 9:

Using figure 9 as a reference, secure the remaining Alley panels and Adjustable Alley Bows together in the same manner as before in step 8.



STEP 10:

Using figure 10 as a reference, secure the Deflector Panel to the Adjustable Alley Bow in the same manner as in step 6.



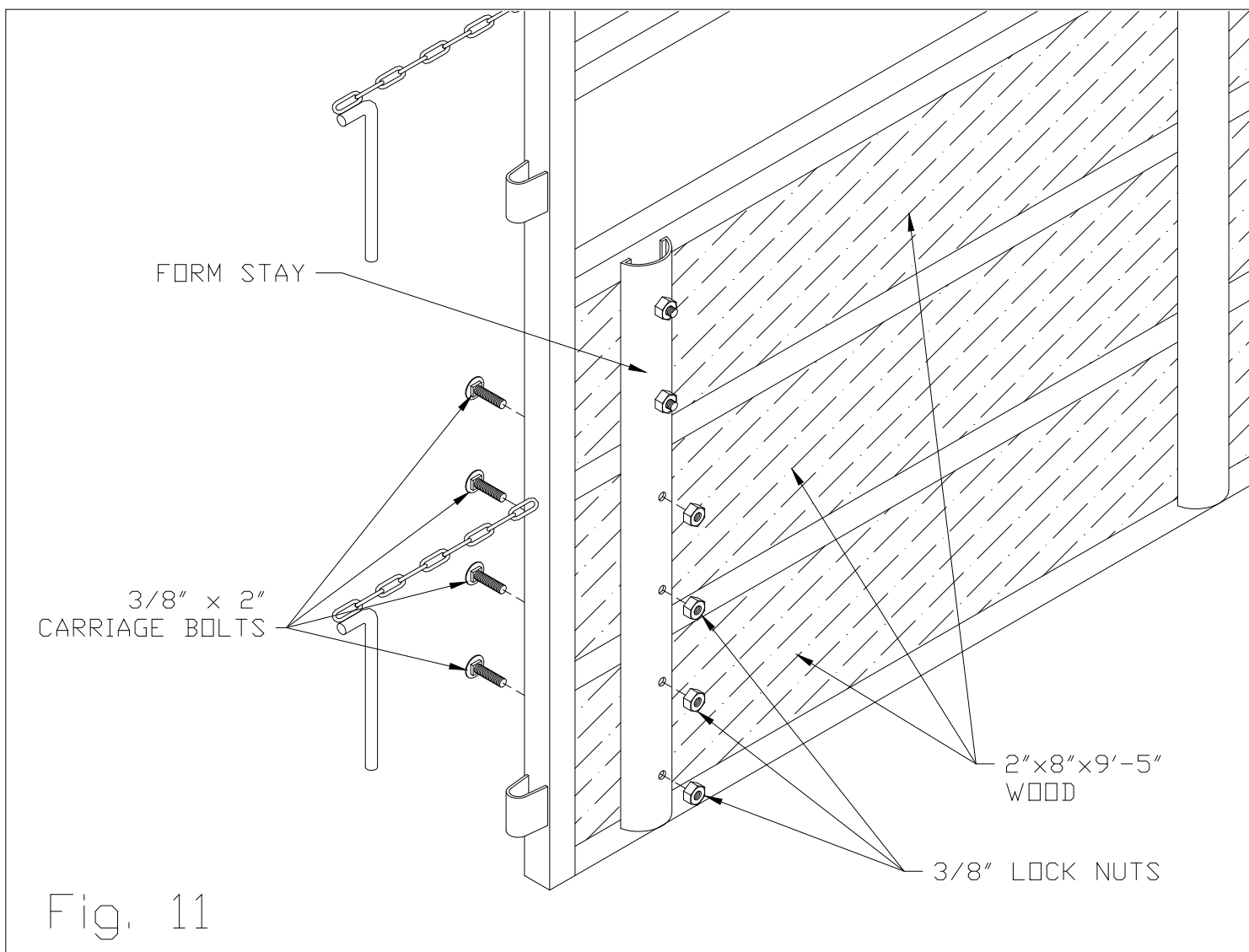
Optional Wood Installation

To sheet the Alley Panels place the 2" x 8" wood between two rails and drill a hole through both the 2" x 8" wood and Formed Stay with a 7/16" drill bits as shown. Bolt the wood sheeting to the Formed Stay with (2) 3/8" x 2" carriage bolts and lock nuts as shown in figure 11, and repeat this on the other end of the alley panel. The Alley Panel can have sheeting installed between the lower three rails.

NOTE: 2" x 8" Wood and 3/8" x 2" carriage bolts and lock nuts are not included.

Parts List

| <u>Part #</u> | <u>Description</u> | <u>Quantity</u> |
|---------------|------------------------|-----------------|
| 005-00301 | 8' Curved Sweep Panels | 4 |
| 005-00303 | 10' Panel with Bow | 1 |
| 005-00305 | Bow Gate | 1 |
| 005-00307 | Gate Latch | 1 |



005-00309 Bottom Brace 4

005-00313 Top "L" Brace 4

| | | |
|-----------|-----------------------------|---|
| 005-00360 | Alley Bow | 3 |
| 005-00365 | 10' Alley Panels | 4 |
| 005-00370 | Deflector Panel | 2 |
| 005-00375 | 38" Deflector Pin | 2 |
| 005-00385 | 1-1/2" Sq to Clevis Adapter | 4 |
| 004-00050 | Alley Stop | 1 |
| 205-00951 | Brace Plate | 1 |
| 205-00970 | Latch Rubber Boot | 1 |