

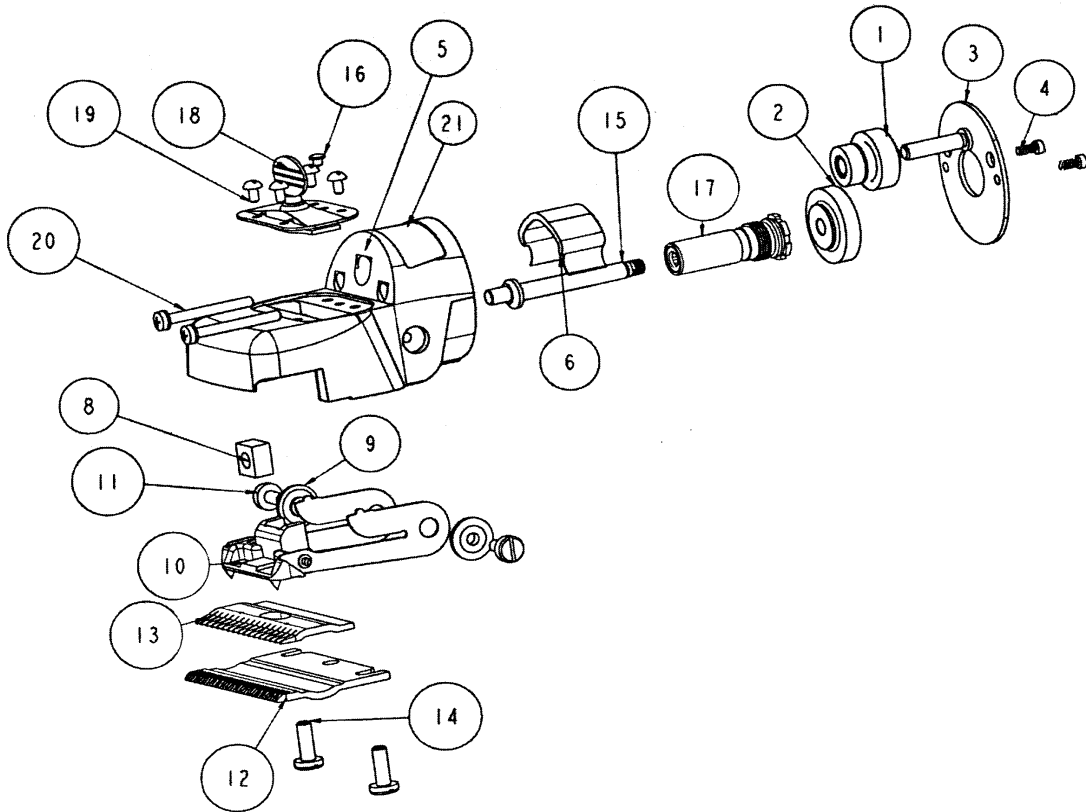
| | |
|----------------|----------|
| INSTRUCTIONS | COL. NO. |
| 058541-001-000 | 1 |

| | | | | | | | | | | | | | | | | | | | |
|--------------------------------------|-----------|---|--|--|---|---|---|---|---|---|----|----|--|--|--|--|--|--|--|
| NEW MODELS ADDED ⇨ FIRST ISSUE 3/00 | COLUMN #: | 1 | | | | | | | | | | | | | | | | | |
| 104379-000-000 CLIPMASTER HEAD ASSY. | X | | | | | | | | | | | | | | | | | | |
| PACKED WITH BLADES | X | | | | | | | | | | | | | | | | | | |
| 3000 CUTTING STROKES PER MINUTE | X | | | | | | | | | | | | | | | | | | |
| HORSES, CATTLE, LLAMAS, GOATS | X | | | | | | | | | | | | | | | | | | |
| SINGLE SPEED 510A | X | | | | | | | | | | | | | | | | | | |
| VARIABLE SPEED 610A | X | | | | | | | | | | | | | | | | | | |
| MODEL OR SERVICE NO. COLUMN | → | 1 | | | 4 | 5 | 6 | 7 | 8 | 9 | 10 | 11 | | | | | | | |

THESE HEAD ASSEMBLIES ARE INTER-CHANGEABLE WITH ALL "CLIPMASTER" MOTOR ASSEMBLIES.

| INDEX NO. | PART NUMBER | * WAS PART NO. | DESCRIPTION | Basic Parts ↓ | QUANTITY REQUIRED | | | | | | | | | | | | | | | |
|-----------|----------------|----------------|-------------------------------|------------------|-------------------|---|---|---|---|---|---|---|---|----|----|--|--|--|--|--|
| | | | | | 1 | 2 | 3 | 4 | 5 | 6 | 7 | 8 | 9 | 10 | 11 | | | | | |
| 1 | 042883-000-000 | | GEAR ASY | 1 | | | | | | | | | | | | | | | | |
| 2 | 044910-000-000 | | VEN-GEAR-CRANKSHAFT | 1 | | | | | | | | | | | | | | | | |
| 3 | 044911-005-000 | | COVER ASY | 1 | | | | | | | | | | | | | | | | |
| 4 | 044915-000-000 | | SCREW-MS | 2 | | | | | | | | | | | | | | | | |
| 5 | 044920-005-000 | | FRONT CASE ASSEMBLY | 1 | | | | | | | | | | | | | | | | |
| 6 | 044993-000-000 | | INSULATOR-GEAR | 1 | | | | | | | | | | | | | | | | |
| 8 | 055702-000-000 | | BLOCK-SLIDE | 1 | | | | | | | | | | | | | | | | |
| 9 | 055703-000-000 | | SPACER | 2 | | | | | | | | | | | | | | | | |
| 10 | 055712-005-000 | | YOKE ASY - SEE NOTE 1 | 1 | | | | | | | | | | | | | | | | |
| 11 | 055714-000-000 | | SCREW | 2 | | | | | | | | | | | | | | | | |
| 12 | 055715-500-000 | | BLADE BOTTOM-TITANIUM | 1 | | | | | | | | | | | | | | | | |
| 13 | 055716-500-000 | | BLADE TOP-TITANIUM | 1 | | | | | | | | | | | | | | | | |
| 14 | 055717-000-000 | | SCREW | 2 | | | | | | | | | | | | | | | | |
| 15 | 104153-000-000 | | CRANKSHAFT-CLIPMASTER | 1 | | | | | | | | | | | | | | | | |
| 16 | 104331-000-000 | | PLUG-GREASE | 1 | | | | | | | | | | | | | | | | |
| 17 | 104362-005-000 | | BUSHING-ASSY-CLIPMASTER | 1 | | | | | | | | | | | | | | | | |
| 18 | 104460-005-000 | | TENSION PLATE ASY | 1 | | | | | | | | | | | | | | | | |
| 19 | 042106-005-000 | | SCREW-MS | 4 | | | | | | | | | | | | | | | | |
| 20 | 042139-005-000 | | SCREW-MS | 2 | | | | | | | | | | | | | | | | |
| 21 | 104480-001-000 | | NAMEPLATE CLIPMASTER SPARE HD | 1 | | | | | | | | | | | | | | | | |

NOTE 1
IF SERVICER HAS THE PROPER EQUIPMENT TO DISASSEMBLE & ASSEMBLE YOKE ASSEMBLY, THE INDIVIDUAL COMPONENTS ARE AVAILABLE SEPARATELY. CONTACT OSTER PRODUCT SERVICE FOR DETAILS.



NOTE: NUMBERS SHOWN ON DRAWING ARE INDEX NUMBERS ONLY. ORDER PARTS BY CORRECT PART NUMBER.