

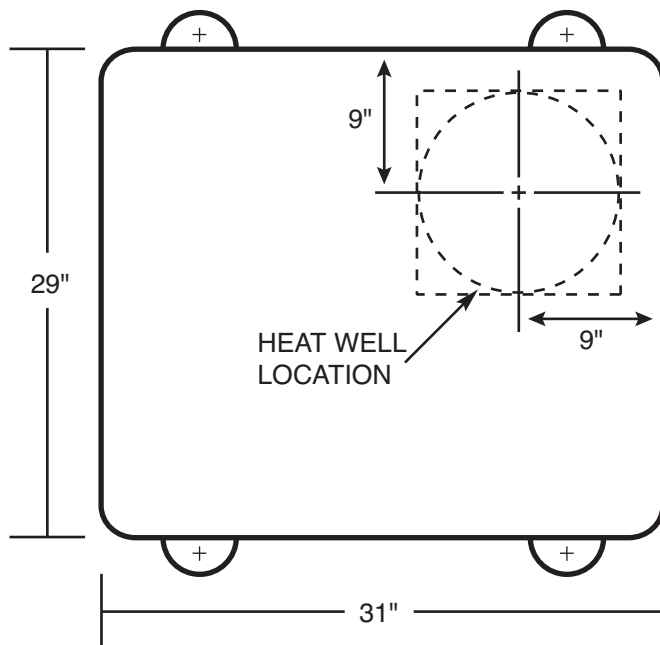


**Model
#3345
Cattle-Horse
Waterer**

#3345 Specifications

1 - 10" openings / Ball closures

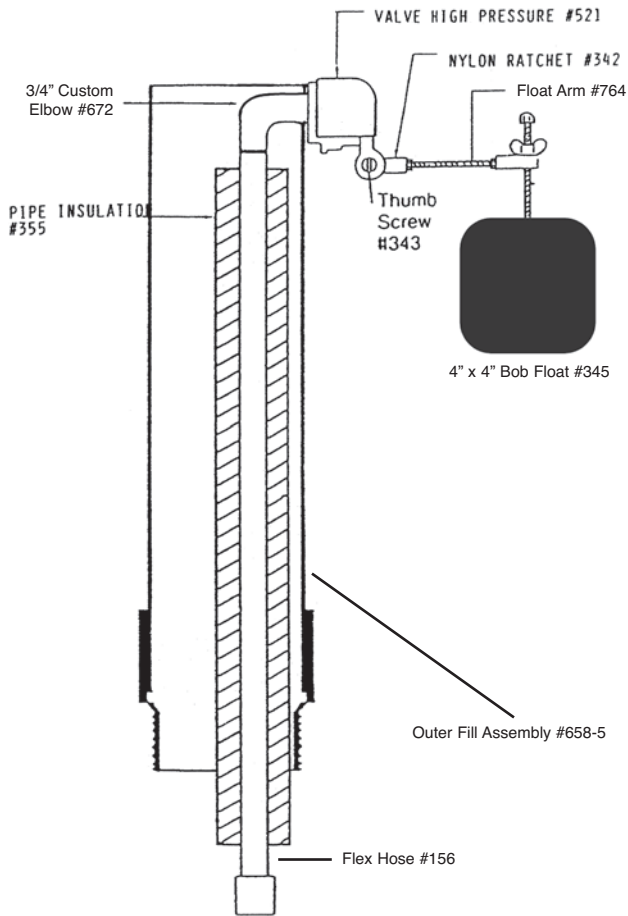
Capacity	Gallons	Dimensions	Weight
75 hd. beef 30 hd. dairy	30 (112 Liters)	29" x 31" x 18" (73.6 x 109 x 66 cm)	95# (43 Kg)



We recommend all anchor bolts be drilled in after the tank is set because dimensions may vary.

PARTS PRICE LIST FOR #3345

Founts manufactured before May 2016 use Part #673 - 3/4" Special "T" (\$11.55) in place of Part #672



Part #	Description
147	Top Assembly Complete
122	Center Insert Complete
108	Center Insert W/O Dome
688	End Insert
875	Center Dome
876	Center Dome Gasket 55"
123	Top Gasket Assembly 108"
306	5/16" x 2" SS Bolt
878	5/16" SS Washer
643	10 3/4" Drinker Ball
139	Base Assembly Complete
347	5/16" x 3/4" SS Washer
409	4" Male Adapter
706	5/16" x 2 1/2" SS Lag Bolt
658-5	Outer Fill Pipe
106	#3345 Parts Carton
761	5/16" x 4" Starter Bolt
322	2" Rubber Drain Plug
344	3/8" x 3 3/4" SS Anchor Bolt
351	3/8" SS Washer
352	5/16" x 1" SS Bolt
353	Anchor Clip
699	3/8" SS Nut
426	Bottom Gasket 115"
440	Valve assembly
521	Valve High Pressure
672	3/4" Custom Elbow
458	Float Assembly
342	Nylon Ratchet
343	Brass Thumb Screw
345	4" x 4" Bob Float
457	Float Arm
156	2' Flex Hose
355	Pipe Insulation
400	Hose Clamp
396	3/4" Male x barb fitting