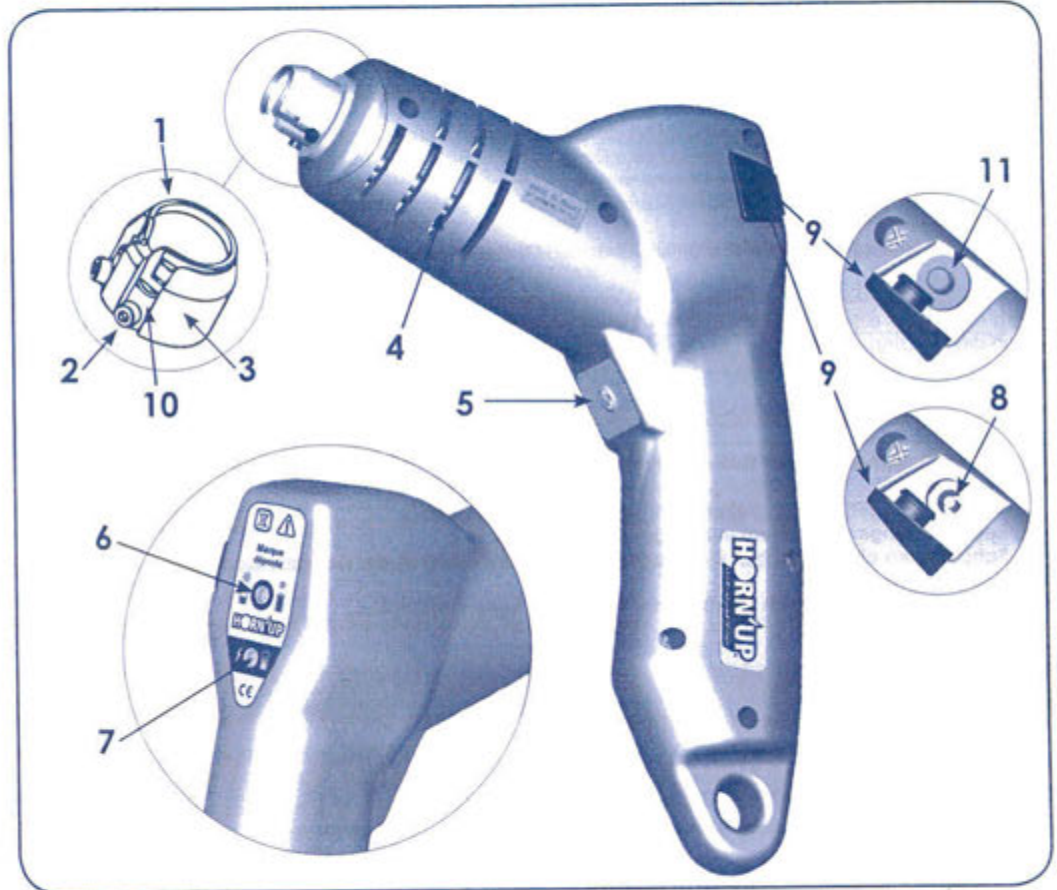


- ▷ SIMPLE
- ▷ QUICK
- ▷ EFFICIENT



Drawing 1

The Dehorner is a compact device, powered by a latest generation, NiMH battery, driven by a current generator and controlled by a microprocessor that carefully manages the temperature of the wire and the cycle time. This ensures safe and successful dehorning of your animals. The shape of the head ensures that the dehorning operation is performed in the first weeks of the animal's life. The fully charged battery allows for about 80 complete cycles, i.e. 40 animals.

Description of the device (See Drawing 1):

- Item 1: Heating wire
- Item 2: Fixing screw for heating wire
- Item 3: Ceramic head
- Item 4: Ventilation inlet
- Item 5: ON Button
- Item 6: Operation and battery charge indicator light
- Item 7: Battery state-of-charge indicator light
- Item 8: Battery charge jack
- Item 9: Protective cap
- Item 10: Connection clamp for heating wire
- Item 11: Safety pin for transport

- Keep the device out of the reach of children.
- Do not immerse the device in water.
- Do not put the device in the fire or place it on a hot surface above 104 °F.
- Do not place the head of the device against skin, even when it is charging.
- Do not place the device in the mouth, even when it is charging.
- Do not hold the device by its head, even when it is charging.
- Improper use or misuse or abuse may lead to severe burns (Temperature at the end of the device > 1292 °F).
- Failure to follow the instructions will invalidate the guarantee.
- Do not throw the device in the dustbin. It contains batteries that must be discarded in compliance with the rules in force.
- This device is neither a toy nor a tool that can be diverted from the use for which it is made. It must be used exclusively for the dehorning of Cattle and Goats in the first 4 weeks of their life. Our company cannot be held liable for any other use of the device.
- This appliance is not intended for use by persons (including children) with reduced physical, sensory or mental capabilities, or lack of experience and knowledge, unless they have been given supervision or instruction concerning use of the appliance by an adult responsible for their safety. Children should be supervised to ensure that they do not play with the appliance.

Contents

A Case containing the following:

- 1 Dehorner.
- 1 Battery charger - 6.0 V / 1 A.
- 1 User manual.
- 1 Hex key (for removing the head).

Safety - Storage



Failure to follow these rules will invalidate the guarantee.

To ensure user safety, as well as the optimal service life and operation of the equipment, the following rules must be respected:

- Before using the device, please read the instruction manual.
- Before using the device, recharge it as described in the chapter on Using/Charging the battery.
- The battery must be stored and charged in an environment where the temperature is between 32° and 77°F.
- Keep the device away from any sources of heat.
- The battery must be stored and charged in a dry environment, away from any flammable material. When connecting, make sure that the device and the plug are dry.
- The device must be kept dry and protected from impacts and liquid splashes.
- Do not melt anything on the heating head. Before use, check that the head is not obstructed by any obstacle.
- The device must be kept out of the reach of children or adults who will not be using the device.
- The device must be used exclusively for dehorning cattle or goats under the conditions prescribed by the standards, guidelines or recommendations in this area.
- Improper use or misuse or abuse may lead to severe burns (Temperature > 1292 °F).
- Never place the heating part on a metal part.
- Never place the heating part on a flammable part.
- Never place the heating part on skin or hold it in your hand or place it in your mouth.
- If the device has been used, the heating head remains hot, even when it is turned off, and can cause severe burns.
- Do not use the device if the heating wire is damaged, in particular if it has been crushed or cut.
- Worn parts must only be replaced by genuine parts.
- Never open the device; give it to a licensed repair shop.
- Never fully discharge the battery. In case of prolonged storage without use, recharge the battery every 3 months at least and more often if stored in areas above 77 °F.
- Do not throw the device in the dustbin. It contains batteries that must be discarded in compliance with the rules in force.

Use

Charging the battery

Before use, the device must be charged for 16 continuous hours to ensure correct service life of the battery. The battery will reach full capacity after several charge/discharge cycles.

To charge the battery:

- Make sure you are in a cool, dry place, away from inflammable products.
- Remove the rubber cap, **Item 9**.
- If using the device for the first time, remove **Item 11** by inserting the hex key in the hole and then pulling (Keep **Item 11** in case you need to return the device).
- Connect the charger plug into **Item 8**.
- Power up the charger.
- Once the battery is charged, remove the charger and put cap (**Item 9**) back in place.

The table below shows the colour of the battery state-of-charge indicator light (**Item 7**), according to the battery charge status.

The indicator light glows steady green	Your battery is being charged
The indicator light blinks green	Your battery has finished charging
The indicator light glows red	The ambient temperature is outside the limits (< 32° F or > 77° F) or the battery is faulty
The indicator light does not light up	Your charger is not correctly connected or faulty

To completely charge the battery, charge it for at least 16 hours before you first use it. Until the battery has been charged and discharged several times, the indicator light (**Item 6**) may blink during use, even if you have just charged the battery. **This is normal.**

Dehorning operation

Before carrying out this operation, make sure you have respected all the rules in force. To ensure the quality of your operation and best protect the animal, we advise you to respect the rules given in the paragraph **«How to dehorn animals correctly»**.

Procedure:

- Place the heating part (**Item 1**) on the base of the horn bud.
- Press the ON button (**Item 5**) and hold the button down throughout the entire operation.
- An audible signal of 3 short beeps and the Indicator light (**Item 6**) indicate that the cycle has started.
- After 2 to 3 seconds, rotate the device 45° two or three times to obtain a regular cauterization circle.
- After about 7 seconds, an audible signal of continuous short beeps indicates that the operation has finished.
- Release the ON button (**Item 5**).
- The audible signal stops and the indicator light switches off.

Never place the heating part on a metal part.

Rules for use and malfunctioning

By design, this device is protected against misuse. It is limited to 10 cycles per 5-minute period. It is also protected against untimely depressions on the ON button (**Item 5**). If it is depressed too often, it goes into safety mode and starts up again after several minutes.

If the heating wire is damaged or badly connected, a continuous beep is emitted when the ON button is depressed. Check the condition of the wire and change it if necessary. Check that the connecting screws (**Item 2**) are correctly tightened. Check that the part in contact with the heating wire is not oxidized.

In case of overheating inside the device, it switches to safety mode and the cycle cannot be run. Wait until the internal temperature is normal again before using the device.

Important: If the device repeatedly overheats, stop using it and send it to be repaired.

The indicator light (**Item 6**) shows the battery charge:

- Glows steady green, the battery is fully charged.
- Blinks green, the battery is a quarter charged.
- Glows red, the battery is discharged and you must not use the device.

Maintenance

Important: never use liquid to clean the device. It must be protected against any liquid splashes. Never place the heating part on a metal part.

Battery

To optimise the service life of your battery, it is essential to respect the following rules:

- Never fully discharge the battery.
- Never store your device with the battery discharged.
- In case of prolonged storage without use, recharge the battery every 3 months and more often if stored in areas > 77 °F.
- If possible, store your device in an environment between 32 ° and 68 °F.

The head

Before storage, you are advised to remove the dirt accumulated in the head (**Item 3**) with a small brush once the head is cold. If the heating wire (**Item 1**) and/or the ceramic head (**Item 3**) are damaged, they must be changed. To do this:

- Put the safety piece (**Item 11**).
- Remove the 2 screws (**Item 2**) with the key provided for that purpose.
- Remove the heating wire (**Item 1**) (You may also use flat nose pliers to pull it out but never use an object that may damage the wire or the ceramic head).
- Remove the ceramic head (**Item 3**).
- Clean the 2 clamps (**Item 10**) carefully with a brush and if necessary with extra fine sandpaper.
- Install a new ceramic head (**Item 3**).
- Install a new heating wire (**Item 1**) without using any tools.
- Put the 2 screws (**Item 2**) back in place with the special key (do not use screws that do not comply with the original screws (Stainless steel A2 socket head cap screw, M2.5 x 6)).
- Remove the safety piece (**Item 11**).

Servicing

Operational problems

Problem	Cause
Continuous audible signal	Internal temperature higher than 140 °F Heating wire (Item 1) not mounted or badly mounted
Continuous audible signal and indicator light (Item 6) glows red	Battery discharged
Indicator light (Item 6) blinks green, battery just charged	<ul style="list-style-type: none">• If your device is new, this is normal and should disappear after 2 battery charge / discharge cycles.• Your battery is at the end of its service life and you should return the device to be repaired
There is no audible signal and no indicator light comes on when the ON button (Item 5) is depressed	<ul style="list-style-type: none">• The device is in safety mode, wait 5 minutes• Your battery is completely discharged: recharge it for 16 hours• You have not disconnected your charger or removed the safety pin (Item 11)
The head heats permanently, even when the ON button (Item 5) is not depressed	The device is faulty; wait for the battery to discharge (about 20 minutes), placing the device in an area where there is no fire hazard, then return it to After Sales
The indicator light (Item 7) glows red	The ambient temperature is outside the limits (< 32° F or > 77° F) or the battery is faulty
The indicator light (Item 7) does not light up	Your charger is not correctly connected or faulty

Should you have any questions, please contact us on our website www.hornup.fr

How to dehorn animals correctly

- Dehorning should be carried out on animals younger than 4 weeks old. It can be done as soon as the horn bud can be felt and this largely depends on the animal and the breed.
- The animal must be put in a cattle crush (dehorning cage) so that it cannot move. If the animal moves, it will not be possible to obtain a regular cauterization circle around the horn bud.
- Shear around the horn bud before dehorning:

- to see it clearly,
- to avoid getting hairs in the wound that may cause infection,
- to avoid having areas that are not sufficiently burnt due to too many hairs,
- to clearly see the quality of the cauterization.

- Do not try to remove the horn bud.
- A regular, circular burn mark, 4 to 5 mm wide, ensures that the horn bud will not grow again.
- Immediately after the operation, apply a disinfectant spray. The spray has two effects:

- It cools the wound.
- It prevents subsequent infection.

- Make sure that the spray penetrates right into the wound.

This device is guaranteed against hidden defects for two years from the date of purchase stated on the receipt or invoice; the guarantee covers parts and labour excluding wear parts and battery. It must be returned carriage paid to be examined and repaired. It will be sent back postage due.

It is essential to return the device with the safety pin (Item 11) put back in the jack (Item 8). In case of an incident during transport, our company cannot be held liable if the safety pin is missing.

During the guarantee period, any defective parts will be repaired or exchanged for a new part. Under no circumstances does the guarantee allow for the faulty device to be replaced by a new one.

This guarantee is applied in accordance with Article L 211-1 of the French code of consumption. By express agreement, our company is discharged from further liability, even in case of an accident involving a person or thing.

Any exchanges or repairs carried out under the guarantee do not extend the length of the guarantee. No compensation shall be due if a device under guarantee cannot be used.

Furthermore, the guarantee shall not be valid if slip No. 1 is not returned within 2 weeks after the sale with proof of purchase, or if the reference of the device has been removed or changed. You can register your guarantee online on our website www.hornup.fr

This guarantee does not cover:

- The breakage of the device after an impact.
- The batteries.
- Deterioration related to bad storage.
- Deterioration related to bad use.
- Abnormal use of the device without following the instructions in the user manual.
- Wear parts.
- Failure of the device following modifications made by the user.

Guarantee application conditions:

The guarantee will not apply if the device has been opened. There can be no reservations made to these conditions and no claims will be accepted if these guarantee conditions have not been strictly observed. All actions must be brought against the manufacturer within a short delay that must not exceed 3 months.

horn

is, it



www.hornup.fr