



SUPERMASK[®] FLY MASK with Ears!

FINALLY! SuperMask fit with ear protection!

Engineered to the conformation of the horse's head, SuperMask is the first mask successfully designed to stay on the horse. And now it comes with ears! It's the first virtually problem-free fly mask that's highly effective on all types of horses, whether stabled or pastured. With no obstruction of vision, no rubbing or harsh abrasion. Just a snug, comfortable fit that's easy to put on and take off. Horses love to wear it. So durable, it often lasts more than one season.

DIRECTIONS FOR USE:

- 1) Make sure throat latch is open.
- 2) Grasp ears at top of mask and gently pull down over horse's ears.

- 3) Reach under horse's neck to bring right side of throat latch over to meet left side of closure.
- 4) Attach snugly, then check for comfort and safety. Adjust if necessary.

NOTE: GENTLY undo throat latch when removing. The ripping sound may startle your horse.

FOR BEST RESULTS:

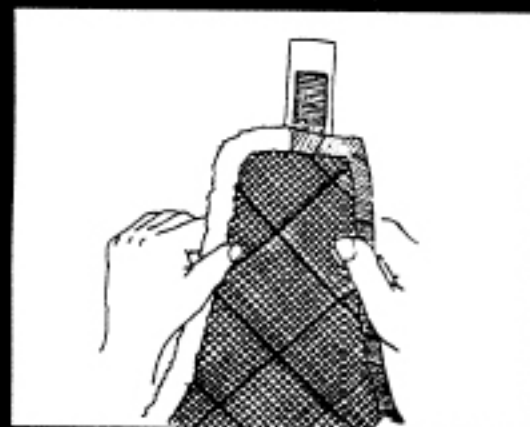
- Remove mask nightly and check horse's face and eye condition.
- Wipe face area with cool cloth.
- Rinse mask weekly.
- Check fur trim periodically for trapped burrs or irritating foreign objects.

USE IT:

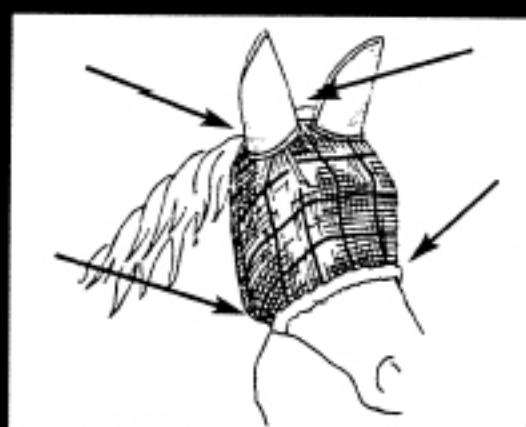
- To keep flies away from eyes
- To keep gnats and other insects out of ears
- To aid healing after eye or ear injuries
- To protect eyes while trailering
- As a sunscreen
- To aid in reducing the spread of summer sores by *Habronema* larvae
- To protect eyes from dirt and debris

LIMITED WARRANTY AND DISCLAIMER:

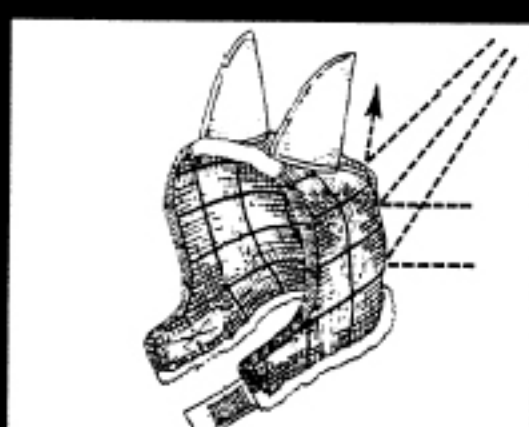
Buyer assumes all risks of use, storage or handling of this material not in strict accordance with label directions and usage. In no event shall the Seller's liability exceed the purchase price of this product.



Abrasion-resistant, rip-resistant, super-tough "Rip-Block™" fabric



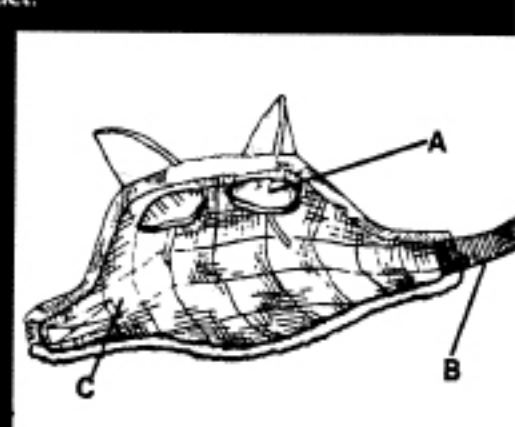
Sturdy nose band construction conforms snugly to keep flies out. Cool and comfortable on the horse.



Blocks the sun. Provides 70% shade, yet horses can see out clearly! Ultraviolet inhibitors curb material breakdown from sunlight.



Fits comfortably over face and ears. Soft mesh ears are comfortable on horse, tough on flies. Plus break-away throat latch releases with pressure for the horse's safety.



*A. Attached ears fit comfortably over horse's ears
B. Throat latch closure provides 10 1/2" adjustability for ideal fit
C. Completely washable*